

GENERAL NOTES

THRESHOLDS AT DOORWAYS AND TRANSITIONS STRIPS SHALL NOT EXCEED 1/2" IN HEIGHT. RAISED THRESHOLDS AND FLOOR LEVEL CHANGES AT ACCESSIBLE DOORWAYS SHALL BE BEVELED WITH A SLOPE NO GREAT THAN 1:2.

ALL CEILING SYSTEMS ARE TO BE CENTERED IN DESIGNATED ROOMS UNLESS NOTED OTHERWISE.

ALL RECESSED AND SURFACE MOUNTED FIXTURES ARE TO BE CENTERED IN THE CEILING GRID UNLESS NOTED OTHERWISE.

THE GENERAL CONTRACTOR SHALL BE RESPONSIBLE FOR FIELD MEASUREMENT TO VERIFY THAT ALL CASEWORK ITEMS WILL FIT WITHIN WALL AND PARTITION CONFIGURATIONS AS SHOWN. BUILT ADJUSTMENTS IN SIZE, IF NECESSARY SHALL BE NOTED TO THE ARCHITECT/ DESIGNERS ATTENTION ON SHOP DRAWINGS.

ALL OPEN ENDS SHALL BE FILLED WITH PANELS TO MATCH CABINET COLOR AND FINISH WHERE EXPOSED TO VIEW.

CAULK ALL JOINTS BETWEEN COUNTERTOPS AND BUILDING PARTITIONS, AND BETWEEN COUNTERTOPS AND ADJACENT CASEWORK. COORDINATE COLOR OF CAULK TO CONDITIONS ADJACENT.

CONTRACTOR TO ADJUST AND ALIGN ALL CABINET DOORS AND FASTEN BACK OF CABINET SECURELY TO WALL.

IT IS THE CONTRACTORS RESPONSIBILITY TO REVIEW AND COORDINATE THE WORK OF ALL SUB CONTRACTORS, TRADES AND SUPPLIERS WITH THE REQUIREMENTS OF THE CONTRACT BEFORE COMMENCING CONSTRUCTION, AND TO ASSURE THAT ALL PARTIES ARE AWARE OF ALL REQUIREMENTS REGARDLESS OF THEIR REQUIREMENTS OCCUR IN THE CONTRACT DOCUMENTS WHICH MIGHT AFFECT THE WORK OF THAT PARTY. THE WORK DESCRIBED BY THE DRAWING OF ANY ONE DISCIPLINE MAY BE AFFECTED BY WORK DESCRIBED ON DRAWINGS OF ANOTHER DISCIPLINE AND MAY REQUIRE REFERENCE TO THE DRAWING OF ANOTHER DISCIPLINE. PARTIAL SETS OF DRAWINGS ARE INCOMPLETE AND SHALL NOT BE DISTRIBUTED OR UTILIZED BY THE CONTRACTOR.

THE CONTRACTOR SHALL ENDEAVOR TO IDENTIFY AND NOTIFY THE ARCHITECT/ DESIGNER OF CONFLICTS BETWEEN THE WORK OF DIFFERENT PARTIES AT THE EARLIEST POSSIBLE DATE SO AS TO ALLOW REASONABLE AND ADEQUATE TIME FOR THE CONFLICT TO BE RESOLVED WITH OUT DELAYING THE WORK. ALL DEVIATION FROM THAT WHICH IS REQUIRED BY THE CONTRACT DOCUMENTS MUST BE APPROVED IN ADVANCE IN WRITING BY THE ARCHITECT/ DESIGNER AND OWNER.

THE CONTRACTOR IS RESPONSIBLE TO COMPLY WITH ALL APPLICABLE LAWS, CODES REGULATIONS AND ORDINANCES OF THE PLACE (CITY COUNTRY DISTRICT AND STATE) WHERE THE PROJECT IS LOCATED. ALTHOUGH SUCH REQUIREMENTS MAY NOT BE REFLECTED IN THESE DRAWINGS AND SPECIFICATIONS.

THE CONTRACTOR SHALL OBTAIN ALL REQUIRED PERMITS AND SIMILAR RELEASES REQUIRED FOR THE CONSTRUCTION AND OCCUPANCY OF THE PROJECT. IF PERMITS ARE ISSUED SUBJECT TO CERTAIN CONDITIONS OR REVISIONS TO THE WORK OR IF THE PERMITS ARE DELAYED FOR ANY REASON THE CONTRACT SHALL NOTIFY THE OWNER/ ARCHITECT/ DESIGNER.

THE CONTRACTOR SHALL TAKE PRECAUTIONS TO MAINTAIN AND PROTECT NEW WORK AS WELL AS EXISTING CONDITIONS AND ELEMENTS WHICH ARE IMMEDIATELY REPAIRED IN A MANNER ACCEPTABLE TO THE ARCHITECT // DESIGNER. IF SATISFACTORY REPAIRS CANNON BE MADE, THE CONTRACTOR SHALL REPLACE SYSTEMS AND ELEMENTS WITH 'LIKE NEW' QUALITY ACCEPTABLE TO THE ARCHITECT/ DESIGNER. ALL REPAIRS AND REPLACEMENTS / COSTS SHALL BE THE FINANCIAL RESPONSIBILITY OF THE CONTRACTOR.

DRAWINGS ARE NOT TO BE SCALED. ALL WORK, LINES, AND LEVELS SHALL BE LAID OUT BY DIMENSIONS. DO NOT SCALE DRAWINGS FOR DIMENSIONAL INFORMATION. ALL ELEMENTS OF THE DRAWING MAY NOT BE DRAWING TO EXACT SCALE. ALL DIMENSIONS REQUIRED ARE SHOWN OR MAY BE

GENERAL NOTES

DERIVED FROM THOSE SHOWN ON THE FLOOR PLANS, DETAIL PLANS, ELEVATIONS, SECTIONS, DETAILS, SCHEDULES AND SPECIFICATIONS. ANY DEVIATIONS SHALL BE BROUGHT TO THE ATTENTION FOR THE ARCHITECT/ DESIGNER IMMEDIATELY. ALL DEVIATIONS SHALL BE DEEMED CORRECTED BY THE CONTRACTOR BEFORE BEGINNING HIS PORTION OF WORK.

ALL WORK SHALL BE DONE IN CONFORMANCE WITH MANUFACTURER'S INSTALLATION AND WARRANTY REQUIREMENTS.

ALL WORK TO BE DONE IN ACCORDANCE WITH ALL APPLICABLE LOCAL, STATE, AND FEDERAL AUTHORITIES, RULES, REGULATIONS AND CODES.

ALL DIMENSIONS AND FIELD CONDITIONS SHALL BE VERIFIED. ANY DISCREPANCIES IN DIMENSIONS, CONDITIONS, OR DOCUMENTS SHALL BE BROUGHT IMMEDIATELY TO THE DESIGNER'S ATTENTION.

CONTRACTOR SHALL TAKE ALL NECESSARY PRECAUTIONS TO PROTECT ALL EXISTING MATERIALS, SURFACES, AND EQUIPMENT TO REMAIN. ANY UNFORESEEN OR UNCLEAR CONDITIONS SHALL BE REPORTED TO THE DESIGNER AND OWNER PRIOR TO PROCEEDING WITH WORK.

THE CONTRACTOR SHALL COORDINATE LOCATIONS FOR ALL BLOCKING, WALL SUPPORTS, AND ANCHORS FOR WALL HUNG ITEMS SUCH AS SHELVES, COUNTERS, CABINETS, ETC. THE CONTRACTOR SHALL NOTIFY THE DESIGNER IF SUPPORTS, BLOCKING, OR ANCHORS NECESSARY TO SUPPORT WALL HUNG ITEMS HAVE NOT BEEN INDICATED. SUCH NOTIFICATION SHALL HAPPEN PRIOR TO INSTALLATION OF ANY WALL HUNG ITEM.

SEE SHEET G1.1 FOR ADA MOUNTING STANDARDS FOR RESTROOM ACCESSORIES, FIXTURES, AND EQUIPMENT.

INSTALL FINISHED PLASTIC LAMINATE PANELS ON EXPOSED SIDES OF ALL UPPER AND LOWER CABINETS NOT ABUTTING A PARTITION.

ALL CABINETS INTERIORS TO BE MELAMINE FINISH, UNLESS OTHER WISE NOTED.

WALLS WHERE WALLCOVERING IS SPECIFIED ARE TO BE SMOOTHED AND SEALED.

TRANSITION STRIP TO BE PROVIDED WHEREVER CHANGE IN FLOOR FINISH OCCURS, UNLESS OTHERWISE NOTED.

CARPET TRANSITIONS TO MEET ACCESSIBLE SLOPE REQUIREMENTS

ALL TOEKICKS TO MATCH MILLWORK UNLESS OTHERWISE NOTED.

ALL ROOMS WITH LOCKABLE MILLWORK TO BE KEYPED SEPARATELY PER ROOM.

ALL HARDWARE TO BE INSTALLED IN COMPLIANCE WITH ANS1309.

REFERENCE ELEVATION NOTES

THE TERM 'REFERENCE' ELEVATION OR DIMENSION REFERS TO A NOMINAL WORK POINT. THE ACTUAL ELEVATION MAY VARY FROM THE REFERENCE POINT. REFER TO APPLICABLE DETAILS TO DETERMINE THE RELATIONSHIP BETWEEN THE ACTUAL ELEVATION OR DIMENSION AND THE STATE REFERENCE POINT.

THE DESIGN REFERENCE ELEVATION +0'- 0" SHOWN ON THE ARCHITECTURAL DRAWINGS CORRESPONDS TO THE FINISH FLOOR ELEVATION OF THE GROUND FLOOR FINISH FLOOR' ELEVATIONS ARE MEASURED AT THE TOP CONCRETE FLOOR SLAB UNLESS NOTED OTHERWISE. APPLIED FINISHES SUCH AS RESILIENT FLOORING OR CARPET MAY RAISE THE ACTUAL FINISH SURFACE ABOVE THE REFERENCE ELEVATION PROVIDED FOR THE FINISH FLOOR.

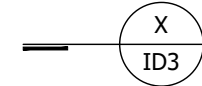
CEILING HEIGHT ELEVATIONS ARE MEASURED TO BOTTOM OF FINISH SURFACES AND STATED IN RELATION TO DISTANCE ABOVE THE REFERENCE ELEVATION PROVIDED FOR THE FINISH FLOOR UNLESS OTHERWISE NOTED.

KEY NOTES

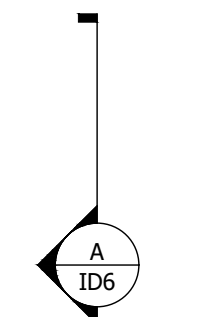
KEY NOTE



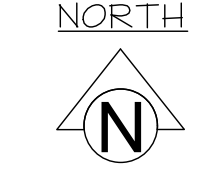
DETAIL



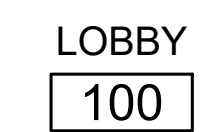
SECTION



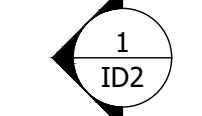
NORTH ARROW



ROOM NAME AND OR NUMBER



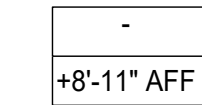
INTERIOR ELEVATIONS



FURNITURE TAG



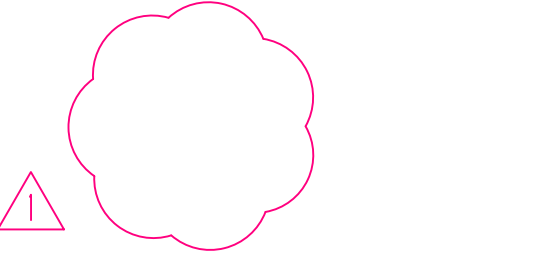
CEILING FINISH AND HEIGHT TAG



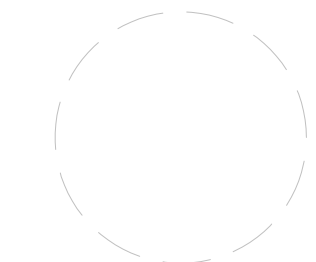
WALL FINISH TAG



REVISION



ADA TURNAROUND



ENLARGED PLAN



NORTH

ABBREVIATIONS

- A/C - AIR CONDITIONER
ACT - ACOUSTICAL CEILING TILE
ADA - AMERICANS WITH DISABILITIES ACT
ADDL - ADDITIONAL
ADJ - ADJUSTABLE
AFF - ABOVE FINISH FLOOR
ALUM - ALUMINUM
ALT - ALTERNATE
APL - APPLIANCE
APPROX - APPROXIMATE
ARCH - ARCHITECTS
BC - BOOKCASE
BLKG - BLOCKING
BM - BEAM
BOF - BOTTOM OF FIXTURE
BOT - BOTTOM
BR - BEDROOM
BRZ - BRONZE
CAB- CABINET
CD - CONSTRUCTION DOCUMENTS
CF/OI- CONTRACTOR FURNISHED/ OWNER INSTALLED
CL - CENTERLINE
CLO- CLOSET
COL - COLUMN
CONC - CONCRETE
CPT - CARPETED
CSMT - CASEMENT
CT - COUNTER TOP
DEMO - DEMOLITION
DIA - DIAMETER
DIM - DIMENSION
DN - DOWN
DR - DOOR
DRH - DOOR HARDWARE
DWR - DRAWER
E - EAST
EA - EACH
EC - ELECTRICAL CONTRACTOR
EF - EXHAUST FAN
ELEC - ELECTRICAL (ALL)
EQ - EQUAL
EQUIP - EQUIPMENT
EXIST - EXISTING
FCT - FAUCET
FIN - FINISH
FLR - FLOOR
FPL - FIREPLACE
FRMG - FRAMING
FT - FOOT/ FEET
FT - FLOOR TILE
FTG - FOOTING
FURN - FURNITURE
GB - GRAB BAR/ GYPSUM BOARD
GC - GENERAL CONTRACTOR
GL - GLASS
GR - GRANITE
GYP - GYPSUM
H - HIGH
HC - HANDICAPP
HDR - HEADER
HDW - HARDWARE
HDWD - HARDWOOD
HT - HEIGHT
HW - HOT WATER
IN - INCH
INT - INTERIOR
J-BOX - JUNCTION BOX

- LAV - LAVATORY
LT - LIGHT
MBR - MASTER BEDROOM
MC - MEDICINE CABINET/ MINIMUM CLEAR
MEZZ - MEZZANINE
MFR - MANUFACTURE(R)
MIRR - MIRROR
MISC - MISCELLANEOUS
MTL - METAL
N/A - NOT APPLICABLE
NIC - NOT IN CONTRACT
NO - NUMBER
NTS - NOT TO SCALE
OA - OVERALL
OC - ON CENTER
OD - OUTSIDE DIAMETER
OFCl - OWNER FURNISHED; CONTRACTOR INSTALLED
OFOI - OWNER FURNISHED; OWNER INSTALLED
OPNG - OPENING
PAT - PATTERN
PED - PEDESTAL
RCP - REFLECTED CEILING PLAN
REC - RECESSED
REF - REFER(ENCE), REFRIGERATOR
RESID - RESIDENTIAL
REV - REVISION(S), REVISED
RM - ROOM
RT - RIGHT
SCHED - SCHEDULE
SD - SMOKE DETECTOR
SDT - (VCT) STATIC DISSIPATIVE TILE
SECT. - SECTION
SF - SQUARE FOOT (FEET)
SHT. - SHEET
SIM - SIMILAR
SPEC - SPECIFICATION
SQ - SQUARE
SQ IN - SQUARE INCH
SST - STAINLESS STEEL
STD - STANDARD
STOR - STORAGE
T&B - TOP AND BOTTOM
T&G - TONGUE AND GROOVE
TB - TOWEL BAR
TBD - TO BE DETERMINED
TBL - TABLE
TEL - TELEPHONE
TFF - TOP OF FINISHED FLOOR
TLT - TOILET
VNT - VANITY
TV - TELEVISION
TYP - TYPICAL
UF - UPHOLSTERED FURNITURE
UNO - UNLESS NOTED OTHERWISE
VA - VOLTAGE
VB - VAPOR BARRIER
VCT - VINYL COMPOSITION TILE
VIF - VERIFY IN FIELD
VVC - VINYL WALL COVERING
WC - WALL COVERING
WD - WOOD
WCT - WAINSCOT
W/D - WASHER AND DRYER
WIC - WALK IN CLOSET
W/O - WITHOUT

CREATIVE LICENSE INTERNATIONAL... THESE DOCUMENTS PROVIDE DESIGN INTENT ONLY AND ARE NOT TO BE USED FOR CONSTRUCTION WITHOUT THE ARCHITECT'S REVIEW AND APPROVAL.

CLIENT NAME: AHV COMMUNITIES
PROJECT NAME: THE SUTTON - RECREATION CENTER & LEASING OFFICE
PROJECT LOCATION: LIBERTY HILL, TX
SHEET NAME: GENERAL NOTES

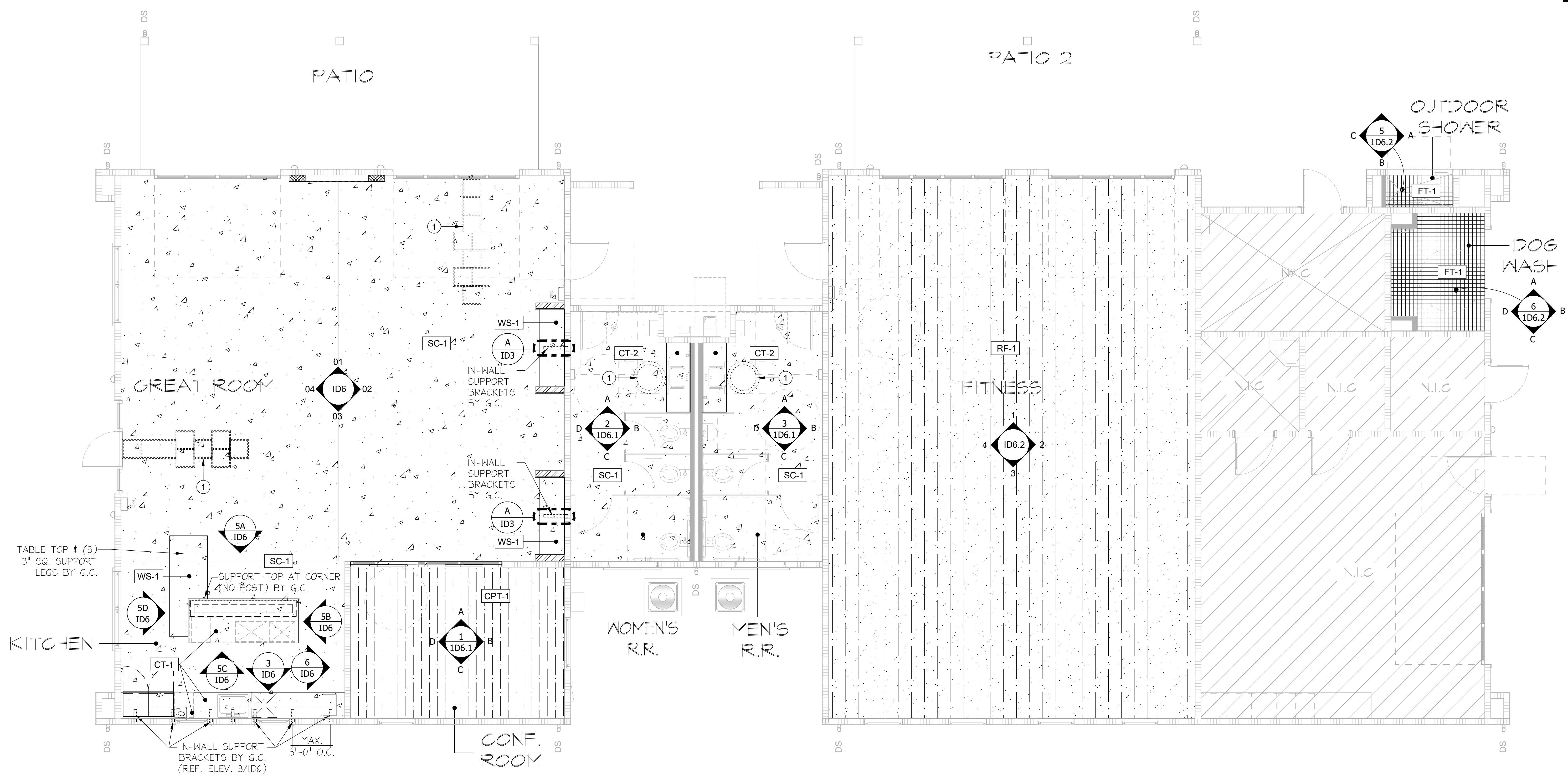
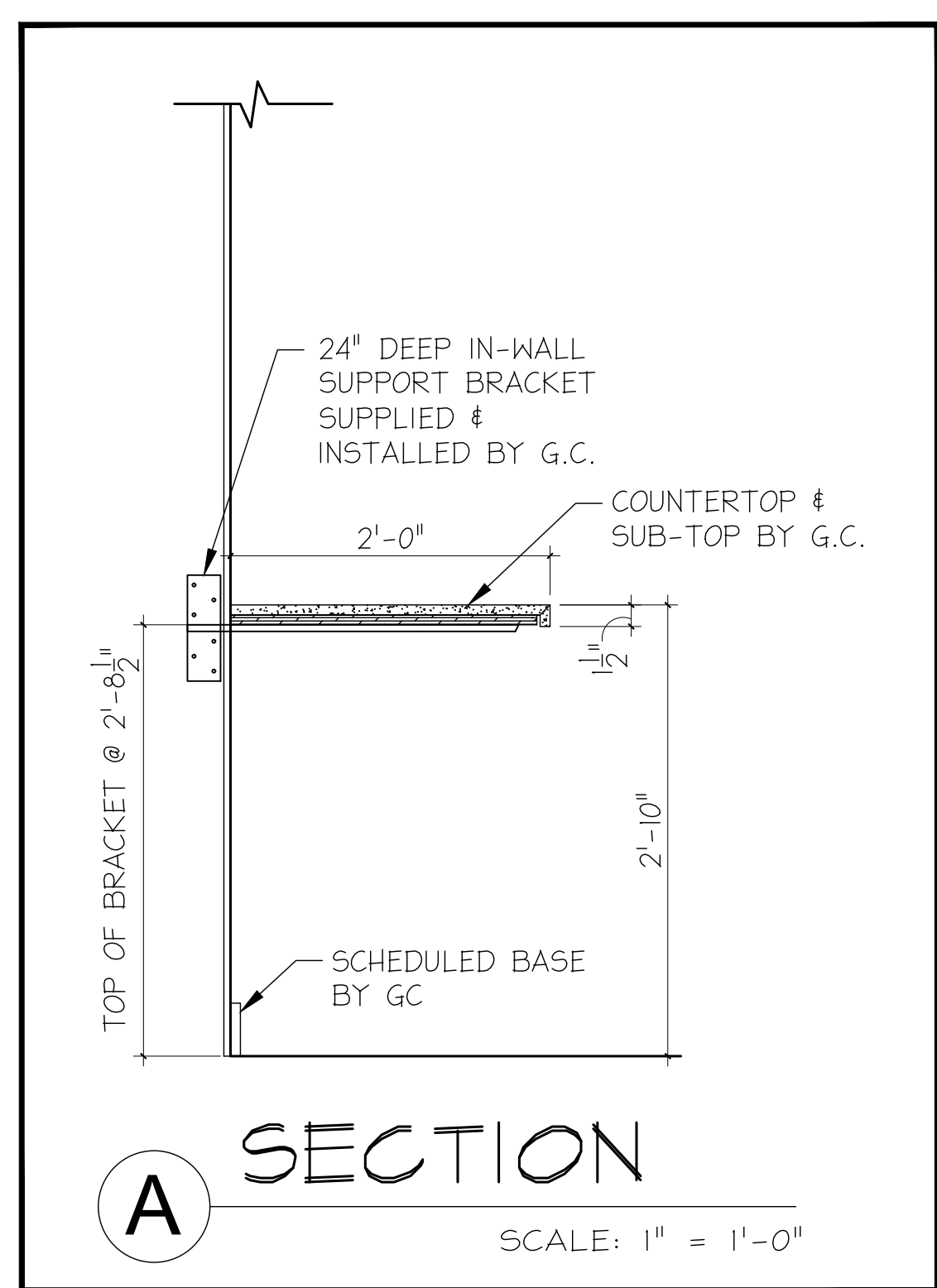


REVISIONS:
INSTALL DATE:
SCALE:
DATE: 3-15-24
JOB NUMBER: 26507
DRAWN BY: JMC/ AM
PM: BK
AE: JF
SHEET: G1

NOTES:
 THESE DOCUMENTS PROVIDE DESIGN INTENT ONLY AND ARE NOT TO BE USED FOR CONSTRUCTION. THE CONTRACTOR SHALL BE RESPONSIBLE FOR OBTAINING ALL NECESSARY PERMITS AND APPROVALS FROM THE LOCAL GOVERNMENT. THE CONTRACTOR SHALL BE RESPONSIBLE FOR OBTAINING ALL NECESSARY PERMITS AND APPROVALS FROM THE LOCAL GOVERNMENT. THE CONTRACTOR SHALL BE RESPONSIBLE FOR OBTAINING ALL NECESSARY PERMITS AND APPROVALS FROM THE LOCAL GOVERNMENT.



HTTPS://ORIGINALGRANITEBRACKET.COM
 P: 888-584-1112
 NEW INDUSTRIAL FREE HANGING SHELF BRACKET



FLOOR FINISH PLAN

NOTE: REFER TO ID8 FOR FINISH SCHEDULE

SCALE: 1/4" = 1'-0"



KEY NOTES

1. DASHED LINES OF PAINTED / STENCIL DESIGNS APPLIED TO CONCRETE BY CREATIVE LICENCE. PAINTED /STENCIL TO BE APPLIED PRIOR TO APPLIED CONCRETE SEALER BY G.C. (G.C. & CLI TO COORDINATE INSTALL DATES & TIMES)

CLIENT NAME: AHV COMMUNITIES
 PROJECT NAME: THE SUTTON - RECREATION CENTER & LEASING OFFICE
 PROJECT LOCATION: LIBERTY HILL, TX
 SHEET NAME: FLOOR FINISH PLAN



REVISIONS:




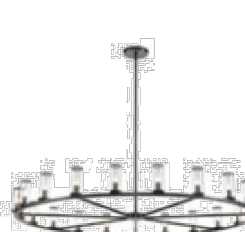

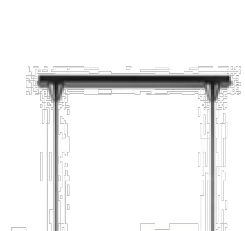

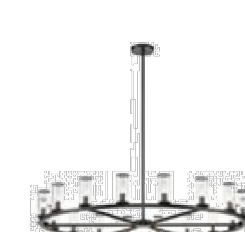
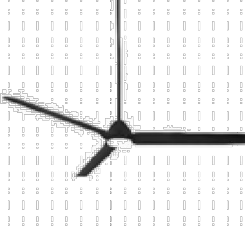
NO.	DATE	DESCRIPTION

INSTALL DATE:
 SCALE:
 DATE: 3-15-24
 JOB NUMBER: 26507
 DRAWN BY: JMC/ AM
 PM: BK
 AE: JF

SHEET: ID3

SHEET SIZE: 30" X 42"

NOTES:
 THESE DOCUMENTS PROVIDE DESIGN INTENT ONLY AND ARE NOT TO BE USED FOR CONSTRUCTION. THE CONTRACTOR SHALL BE RESPONSIBLE FOR OBTAINING ALL NECESSARY PERMITS, APPROVALS, AND LOCAL REGULATIONS. THE CONTRACTOR SHALL BE RESPONSIBLE FOR OBTAINING ALL NECESSARY PERMITS, APPROVALS, AND LOCAL REGULATIONS. THE CONTRACTOR SHALL BE RESPONSIBLE FOR OBTAINING ALL NECESSARY PERMITS, APPROVALS, AND LOCAL REGULATIONS. THE CONTRACTOR SHALL BE RESPONSIBLE FOR OBTAINING ALL NECESSARY PERMITS, APPROVALS, AND LOCAL REGULATIONS.

LIGHT SCHEDULE			
CLIENT: AHV COMMUNITIES			
PROJECT NAME: THE SUTTON			
DATE: 3.15.2024			
REVISION DATE:			
	LT-1 RECESSED CAN	MANUFACTURER: COLLECTION: ITEM: SIZE: FINISH: BULB: GLASS: CANOPY / BACKPLATE: MOUNTING HEIGHT: REP: PHONE NUMBER: WEBSITE:	ENVISION LED LIGHTING CANLESS DOWNLIGHTS CAMM COMMERCIAL DOWNLIGHTS LED-CADM-3M30-SCOT 6" ROUND WHITE REFLECTOR WHITE TRIM RING 3000K LED N/A N/A MERRIT LAWN 281.748.8525 https://www.envisionledlighting.com/ www.capitallight.com
	LT-2 EXTERIOR RECESSED CAN	MANUFACTURER: COLLECTION: ITEM: ITEM NUMBER: SIZE: FINISH: BULB: GLASS/SHADE: CANOPY / BACKPLATE: MOUNTING HEIGHT: WEBSITE:	JUNO PODZ LED DOWNLIGHT SERIES 6" CANLESS ROUND JPDZ6 6" X 2-3/4" DEEP WHITE, WHITE TRIM RING LED W/ COLOR TEMPERATURE SETTINGS, 3000K N/A N/A RECESSED https://uno.acuitybrands.com/products/detail/1697225/juno/podz-series-canless-downlights/4-5-6---canless-downlights-for-new-construction-or-remodel-installations
	LT-3 RECREATION: COWORKING	MANUFACTURER: COLLECTION: ITEM: ITEM NUMBER: SIZE: FINISH: BULB: GLASS/SHADE: CANOPY / BACKPLATE: MOUNTING HEIGHT: NOTE: WEBSITE:	JUNO SWITCHABLE WHITE ADJUSTABLE WAFER CANLESS DOWNLIGHT 6" CANLESS ROUND JPDZ6 6" X 2-3/4" DEEP WHITE, WHITE TRIM RING LED DYNAMIC, 3000K N/A N/A RECESSED ADJUST TO WALL WASH BACK WALL OF NICHE https://uno.acuitybrands.com/products/detail/1901577/juno/switchable-white-adi-wafer-canless-downlight/5cct-switchable-2700k-3000k-3500k-4000k-5000k---4-6-wafer-led-downlight
	LT-4 RECREATION: LOUNGE DINING COWORKING	MANUFACTURER: COLLECTION: ITEM: SIZE: FINISH: BULB: GLASS: CANOPY / BACKPLATE: MOUNTING HEIGHT: NOTE: WEBSITE:	KUZCO REVOLVE CH309021UBCG D60-3/8" x H12-5/8" URBAN BRONZE E12 LAMP BASE INCANDESCENT CLEAR GLASS D6-3/4" x H7/8" LOUNGE: 108" AFF, 40" HANG HEIGHT (3X12" + 1X4") ALL INCLUDED DINING/COWORKING: 132" AFF, 60" HANG HEIGHT (5X12"), 3 INCLUDED, 1 ADDITIONAL ROD REQUIRED part# X-RD34-12NB INSTALL ALL WITH DIMMERS LOUNGE: MOUNTED DIRECTLY ON FAUX BEAM, INTERIOR SUPPORT MAY BE REQUIRED https://kuzcolighting.com/product/revolve-ch309021/
	LT-5 RECREATION: KITCHEN	MANUFACTURER: COLLECTION: ITEM: SIZE: FINISH: BULB: GLASS: CANOPY / BACKPLATE: MOUNTING HEIGHT: NOTE: WEBSITE:	KUZCO ASTRID WV316601UBMS W2-3/8" x H21-1/16" x E33-1/2" URBAN BRONZE LED with DC Driver CLEAR LG LASS TUBING D5-1/8" x E3-3/8" 72" AFF, REF. ELEVATIONS MOUNTED ON WOOD PANELING, INSTALL WITH DIMMER https://kuzcolighting.com/product/astrid-wv316601/
	LT-6 RECREATION: KITCHEN CONFERENCE ROOM	MANUFACTURER: COLLECTION: ITEM: SIZE: FINISH: BULB: GLASS/SHADE: CANOPY / BACKPLATE: MOUNTING HEIGHT: NOTE: WEBSITE:	KUZCO EDWIN LP348148UBFR L47-7/8" x W2" x H2" URBAN BRONZE 90CRI, 3000K, LED FROSTED RIBBED GLASS L31-1/2" x W6" x H4-1/4" 70" AFF, 36" ABOVE COUNTER, 50" HANG HEIGHT MOUNTED ON WOOD PANELING, INSTALL WITH DIMMER https://kuzcolighting.com/product/edwin-lp348148/
	LT-7 RECREATION: RESTROOMS	MANUFACTURER: COLLECTION: ITEM: SIZE: SERIES: BULB: MOUNTING HEIGHT: NOTE: WEBSITE:	JESCO LINEAR LED STRIPS & MOUNTING CHANNELS DL-FLEX2-UP CHANNEL: CH-SM-35 3/8" WIDE x 12" INCREMENTS LED FLEXIBLE LINEAR DL-FLEX STATIC SERIES 3000K N/A INSTALL WITH DIMMER https://www.jescolighting.com/portfolio/ch-sm-35/
	LT-8 LEASING: WAITING	MANUFACTURER: COLLECTION: ITEM: SIZE: FINISH: BULB: GLASS/SHADE: CANOPY / BACKPLATE: MOUNTING HEIGHT: NOTE: WEBSITE:	KUZCO REVOLVE CH309018UBCG D48-1/8" x H6-5/8" URBAN BRONZE E12 LAMP BASE INCANDESCENT D5-5/8" x H7/8" 84" AFF, 24" HANG HEIGHT (2X12") INCLUDED https://kuzcolighting.com/product/revolve-ch309018/
	FAN-1 FITNESS:	MANUFACTURER: COLLECTION: ITEM: SIZE: FINISH: BULB: GLASS/SHADE: MOUNTING HEIGHT: NOTE: WEBSITE:	MINKA AIRE JAVA XTREME - 84" LED CEILING FAN F754-CL 84" COAL 40W ETCHED LENS 96" AFF INSTALL WITH DIMMER https://www.minkagroup.net/f754-cl.html

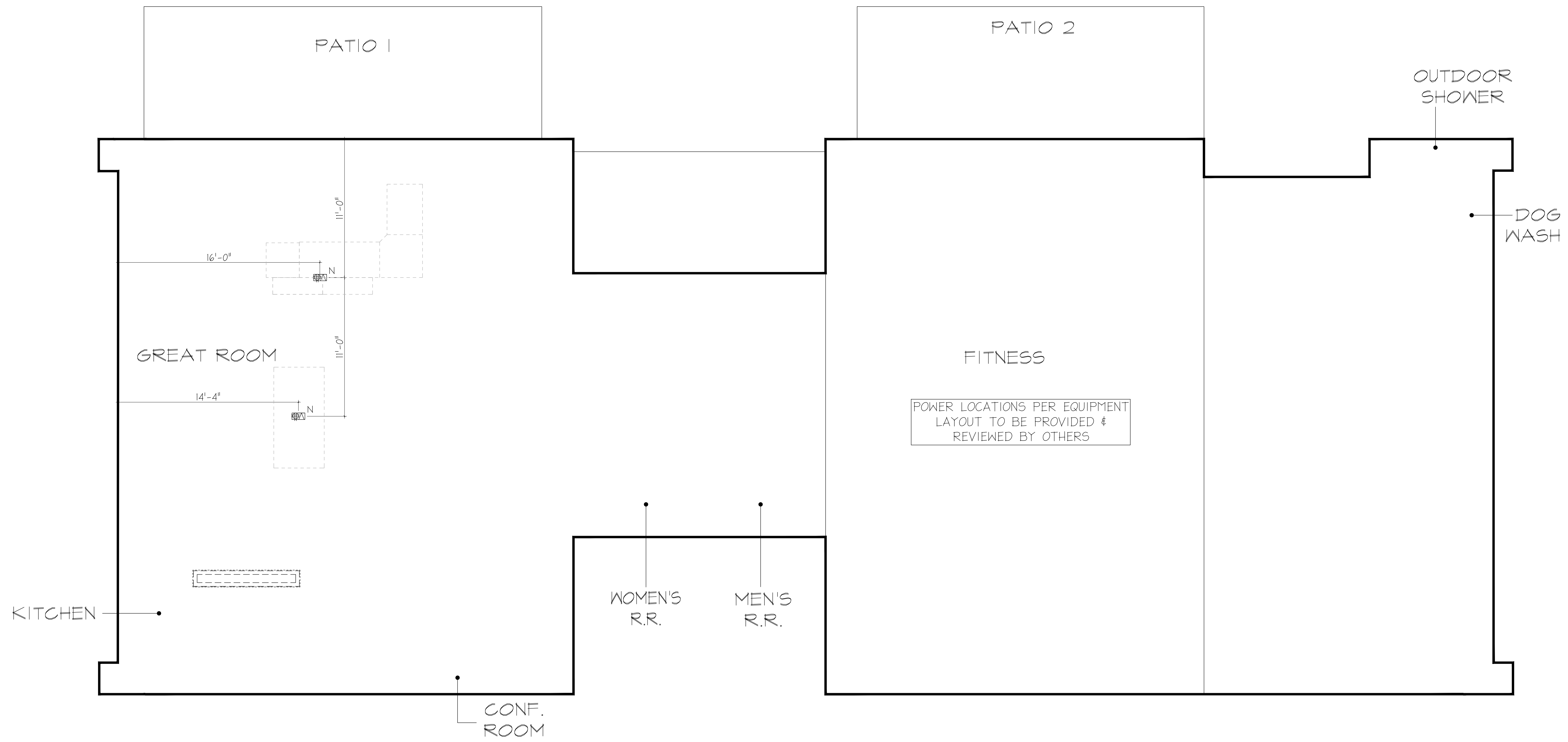
CLIENT NAME: AHV COMMUNITIES
 PROJECT NAME: THE SUTTON - RECREATION CENTER & LEASING OFFICE
 PROJECT LOCATION: LIBERTY HILL, TX
 SHEET NAME: LIGHTING SCHEDULE



REVISIONS:
 INSTALL DATE:
 SCALE:
 DATE: 3-15-24
 JOB NUMBER: 26507
 DRAWN BY: JMC/ AM
 PM: BK
 AE: JF

SHEET: ID4.1

THESE DOCUMENTS PROVIDE DESIGN INTENT ONLY AND ARE NOT TO BE USED FOR CONSTRUCTION. THE CONTRACTOR SHALL VERIFY ALL DIMENSIONS, CONDITIONS AND MATERIALS BEFORE BEGINNING CONSTRUCTION AND SHALL CONTACT THE ARCHITECT IMMEDIATELY IN WRITING IF ANY DISCREPANCIES ARE IDENTIFIED. THE ARCHITECT SHALL BE RESPONSIBLE FOR THE DESIGN AND SHALL NOT BE RESPONSIBLE FOR THE CONSTRUCTION. THE CONTRACTOR SHALL BE RESPONSIBLE FOR THE CONSTRUCTION AND SHALL NOT BE RESPONSIBLE FOR THE DESIGN. THE ARCHITECT SHALL BE RESPONSIBLE FOR THE DESIGN AND SHALL NOT BE RESPONSIBLE FOR THE CONSTRUCTION. THE CONTRACTOR SHALL BE RESPONSIBLE FOR THE CONSTRUCTION AND SHALL NOT BE RESPONSIBLE FOR THE DESIGN.



POWER & DATA LEGEND

N	NEW RECESSED FLOOR & DATA OUTLET
---	----------------------------------

GENERAL NOTES

NOTES:
 ALL POWER/DATA FIXTURES ARE TO BE G.C. PROVIDED & INSTALLED.
 ELECTRICAL PLAN DOES NOT INCLUDE OVERALL ELECTRICAL LOCATIONS BASED ON THE ELECTRICAL ENGINEER. ALL OUTLET LOCATIONS SHOWN SPECIFICALLY CORRESPOND WITH INTERIOR DESIGN.
 ALL ELECTRICAL LOCATIONS REQUIRING GFCI MUST BE SPECIFIED BY ELECTRICAL ENGINEER.
 ALL AFF HEIGHTS ARE DIMENSIONED TO THE CENTER OF THE OUTLET LOCATION.
 ALL EQUIPMENT/APPLIANCE RECEPTACLES TO BE INSTALLED ACCORDING TO MANUFACTURERS VOLTAGE REQUIREMENTS.
 ELECTRICAL PLAN DOES NOT INCLUDE ELECTRICAL LOCATIONS FOR ADDITIONAL EQUIPMENT SPECIFIED AND SUPPLIED BY CLIENT.

COORDINATION PLAN (FLOOR OUTLETS)

SCALE: 1/4" = 1'-0"



CLIENT NAME: **AHV COMMUNITIES**
 PROJECT NAME: **THE SUTTON - RECREATION CENTER & LEASING OFFICE**
 PROJECT LOCATION: **LIBERTY HILL, TX**
 SHEET NAME: **COORDINATION PLAN (FLOOR OUTLETS)**



REVISIONS:

INSTALL DATE:

SCALE:

DATE: 3-15-24

JOB NUMBER: 26507

DRAWN BY: JMC/ AM

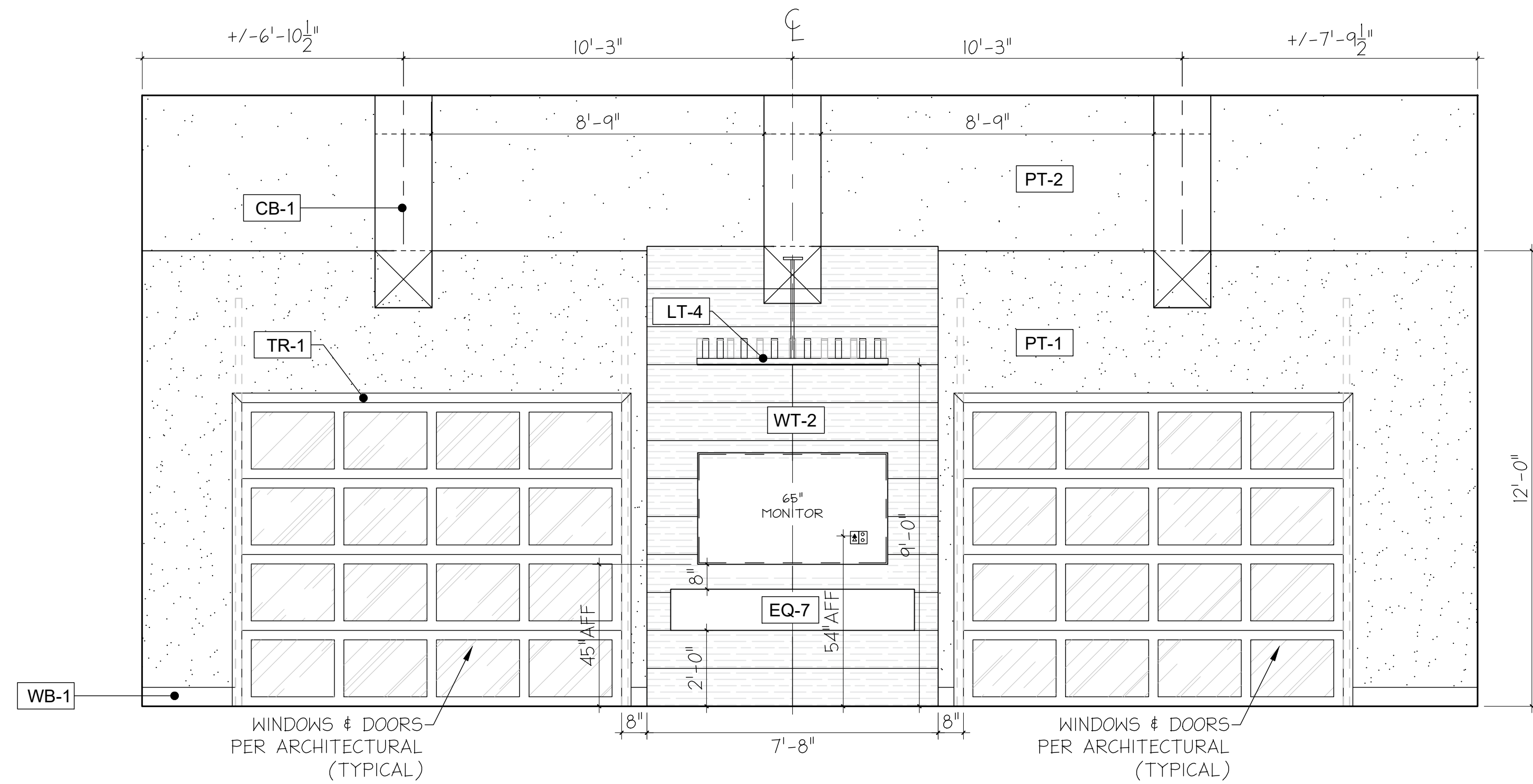
PM: BK

AE: JF

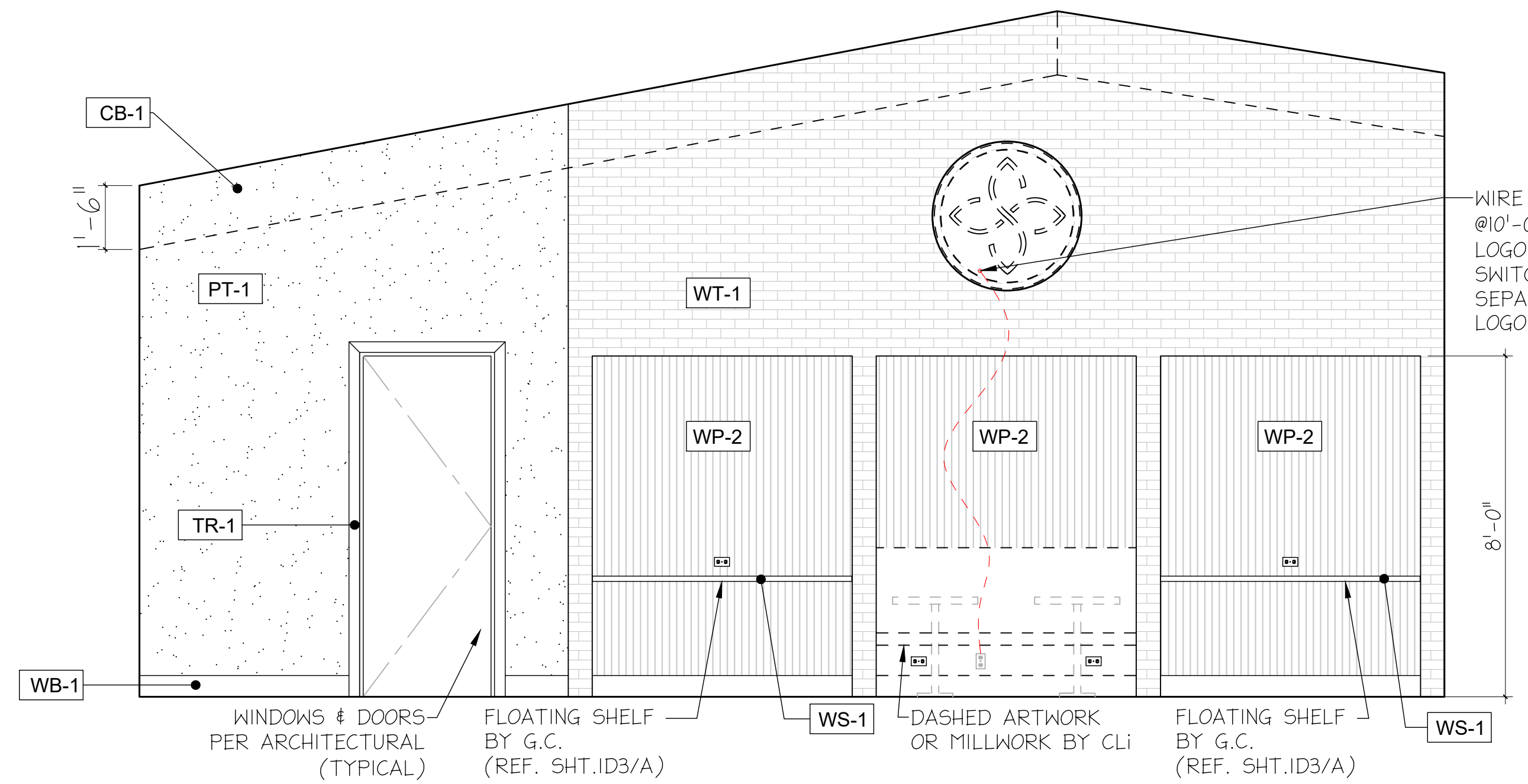
SHEET: **ID5.1**

SHEET SIZE: 30" X 42"

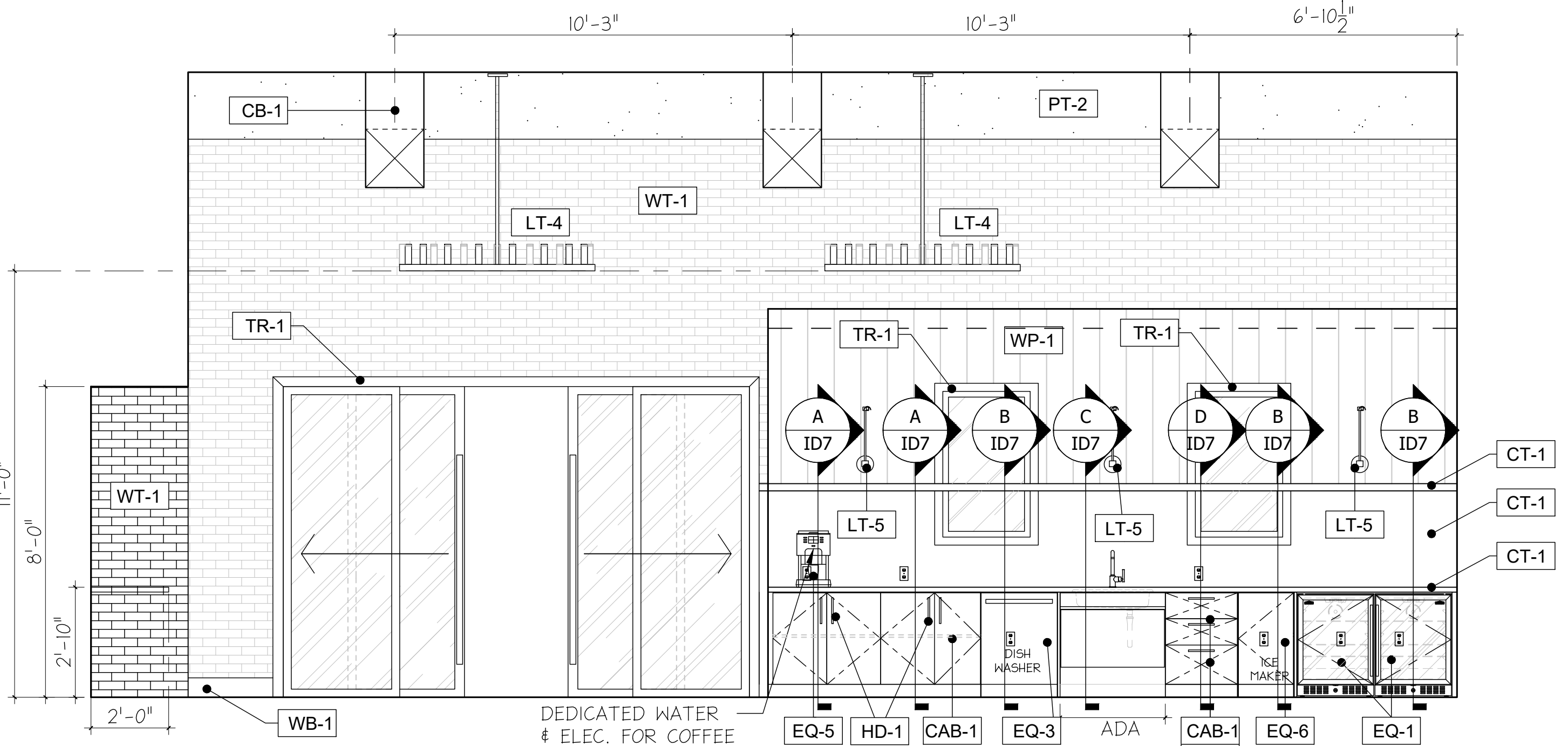
NOTES:
 THESE DOCUMENTS PROVIDE DESIGN ONLY AND ARE NOT TO BE USED FOR CONSTRUCTION. THE ARCHITECTURAL AND ENGINEERING CONTRACTOR AND TRADE CONTRACTOR SHALL VERIFY ALL DIMENSIONS, MATERIALS, AND FINISHES. THE ARCHITECT AND ENGINEER SHALL NOT BE RESPONSIBLE FOR ANY DAMAGE TO OR LOSS OF PROPERTY OR PERSONAL INJURY OR DEATH THAT MAY OCCUR AS A RESULT OF THE USE OF THESE DOCUMENTS. THE ARCHITECT AND ENGINEER SHALL NOT BE RESPONSIBLE FOR ANY DAMAGE TO OR LOSS OF PROPERTY OR PERSONAL INJURY OR DEATH THAT MAY OCCUR AS A RESULT OF THE USE OF THESE DOCUMENTS. THE ARCHITECT AND ENGINEER SHALL NOT BE RESPONSIBLE FOR ANY DAMAGE TO OR LOSS OF PROPERTY OR PERSONAL INJURY OR DEATH THAT MAY OCCUR AS A RESULT OF THE USE OF THESE DOCUMENTS.



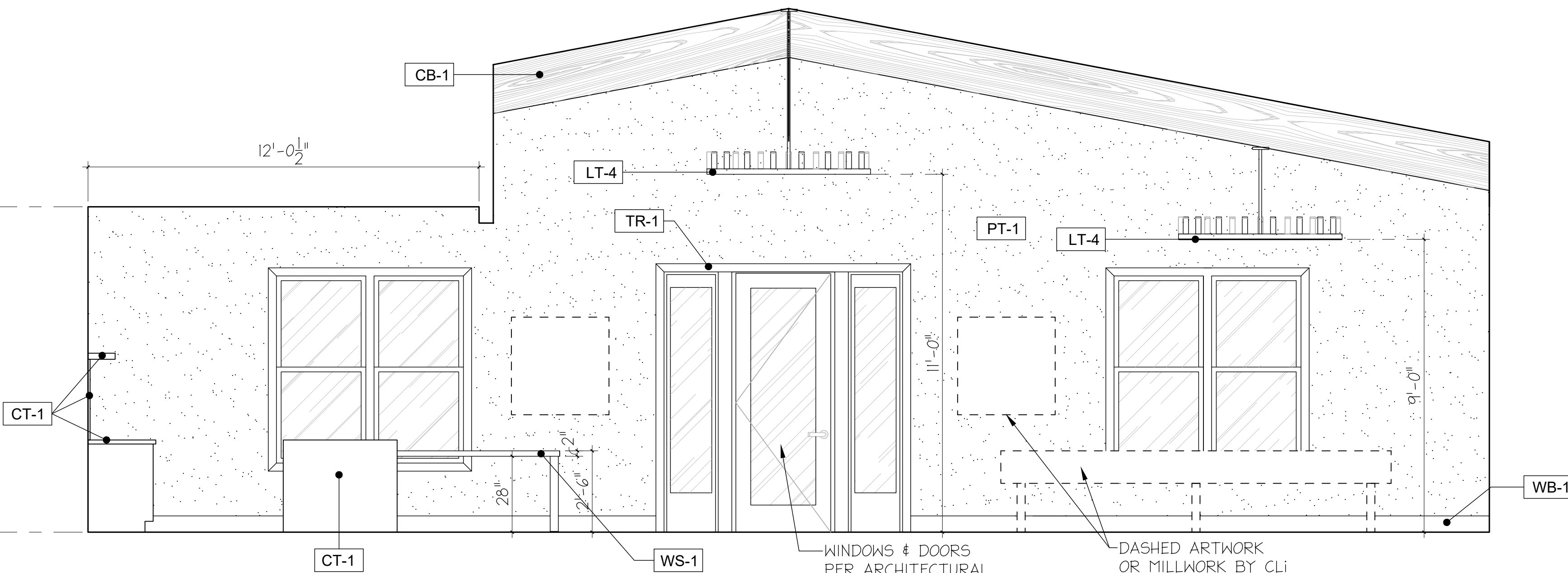
1 INTERIOR ELEVATION
 RECREATION CENTER
 SCALE: 3/8" = 1'-0"



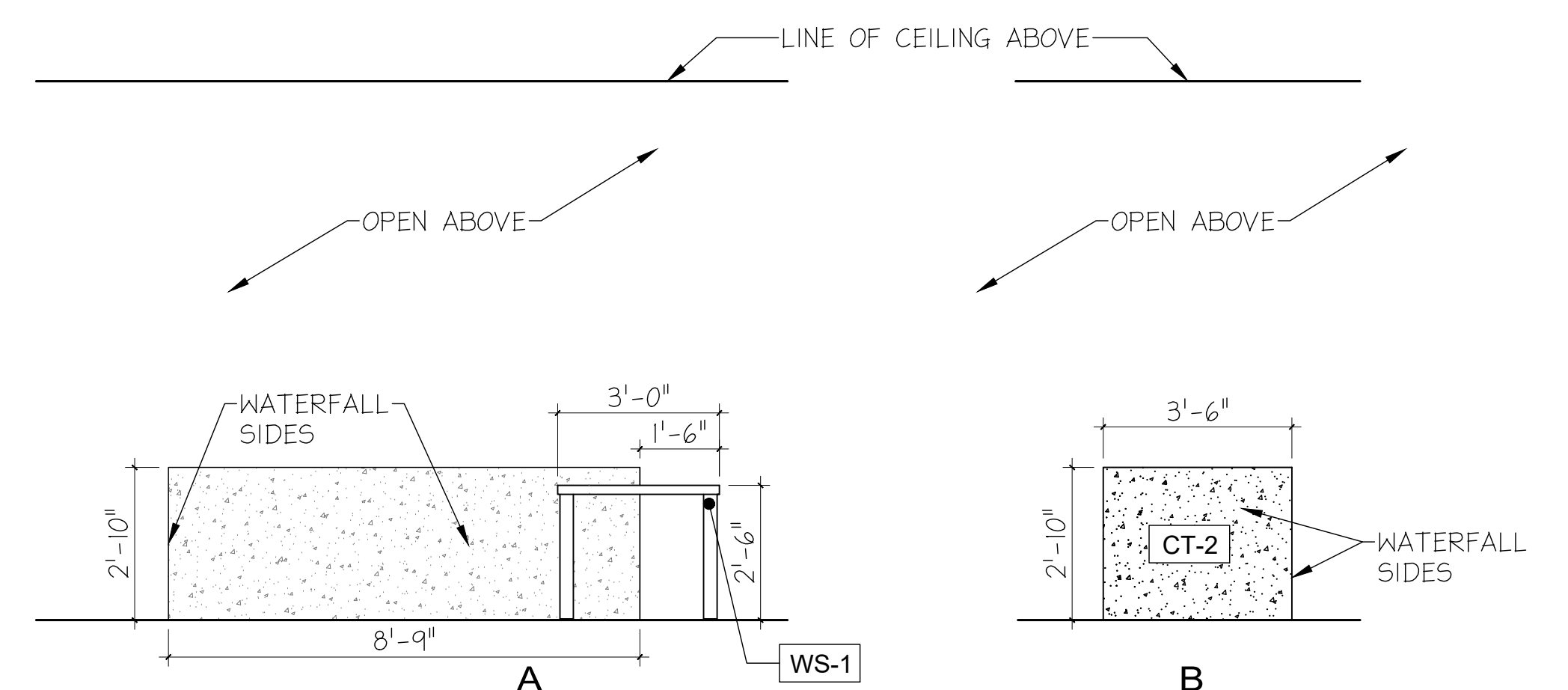
2 INTERIOR ELEVATION
 RECREATION CENTER
 SCALE: 3/8" = 1'-0"



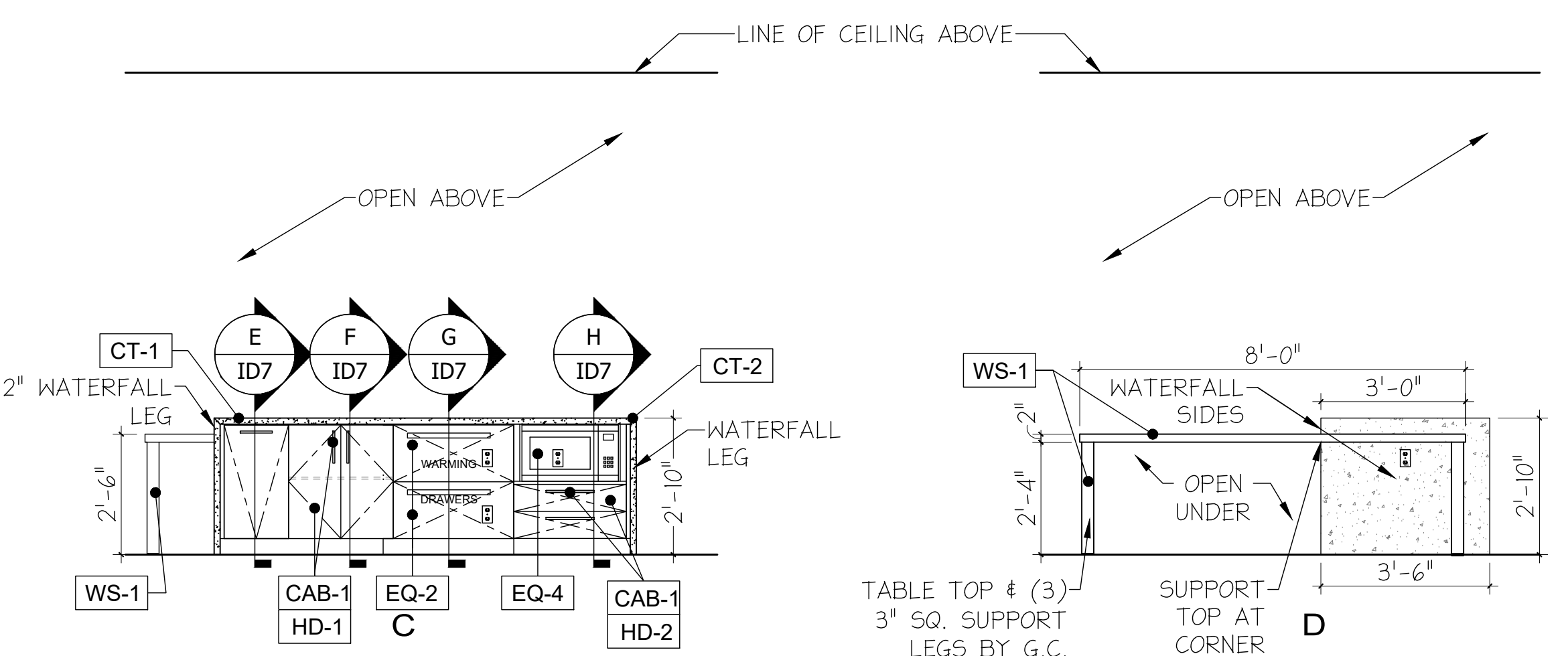
3 INTERIOR ELEVATION
 RECREATION CENTER
 SCALE: 3/8" = 1'-0"



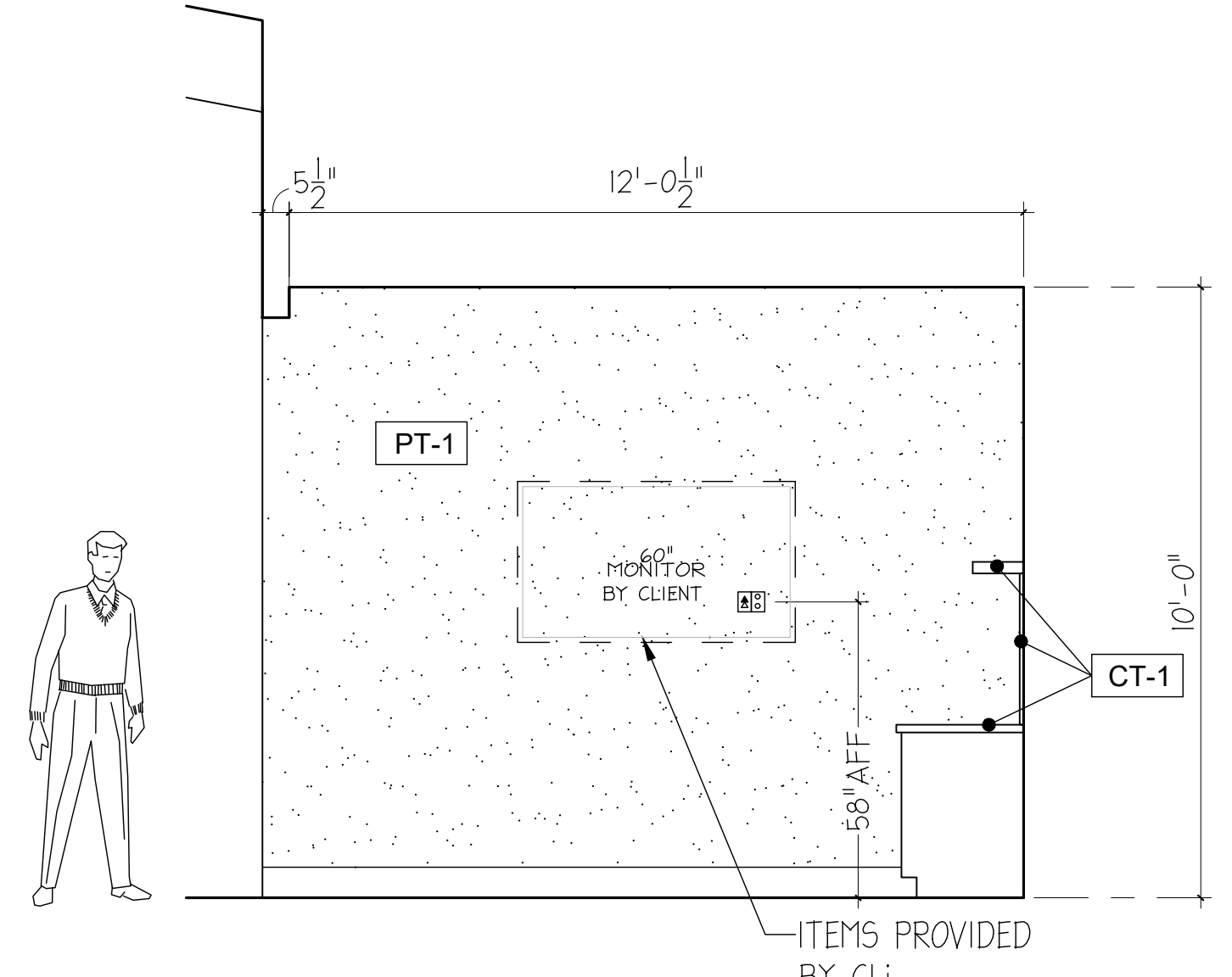
4 INTERIOR ELEVATION
 RECREATION CENTER
 SCALE: 3/8" = 1'-0"



5 INTERIOR ELEVATION
 KITCHEN ISLAND
 SCALE: 3/8" = 1'-0"



SCALE: 3/8" = 1'-0"



6 INTERIOR ELEVATION
 KITCHEN
 SCALE: 3/8" = 1'-0"

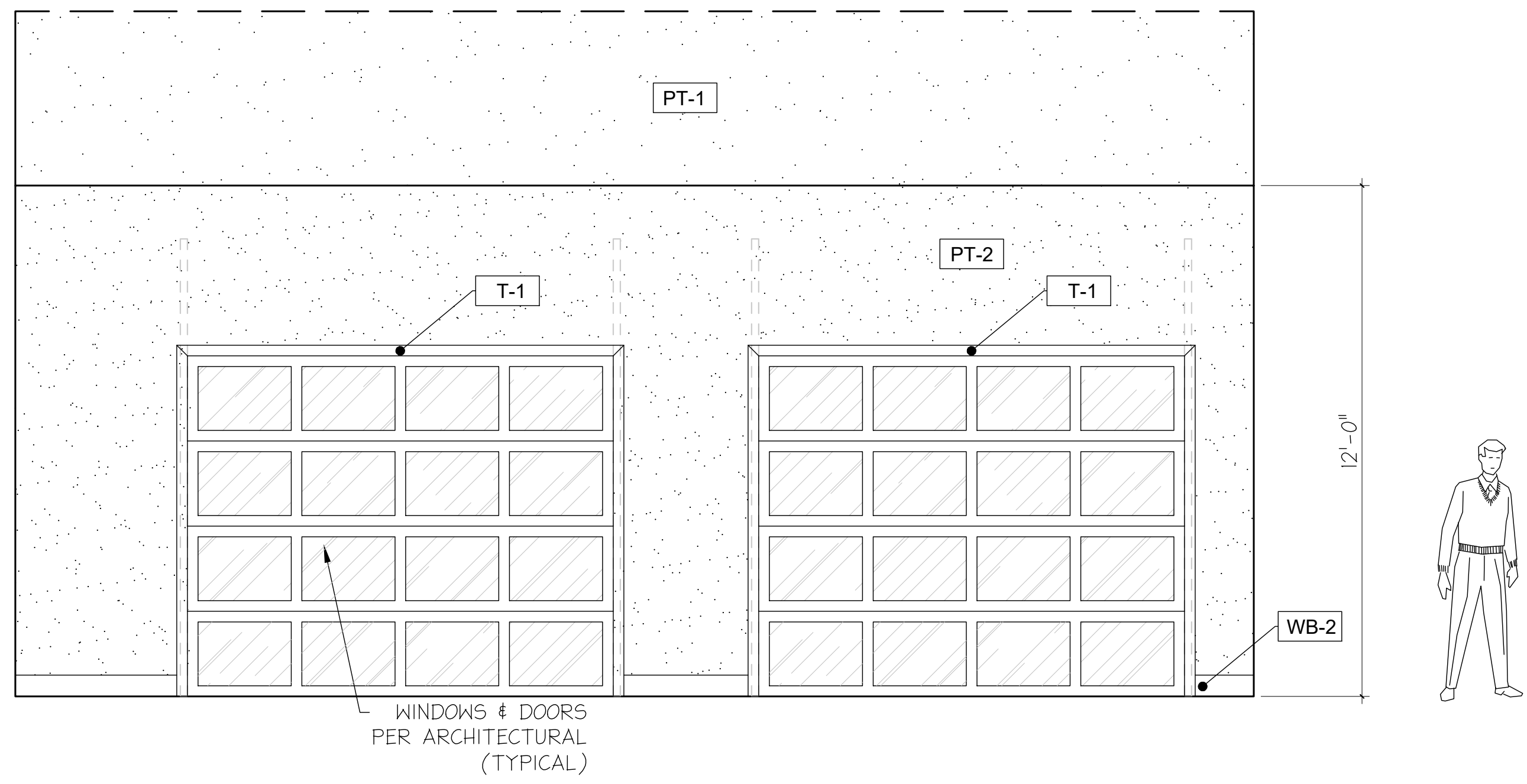
NOTE: REFER TO ID8 FOR FINISH SCHEDULE

CLIENT NAME: AHV COMMUNITIES
 PROJECT NAME: THE SUTTON - RECREATION CENTER & LEASING OFFICE
 PROJECT LOCATION: LIBERTY HILL, TX
 SHEET NUMBER: INTERIOR ELEVATIONS

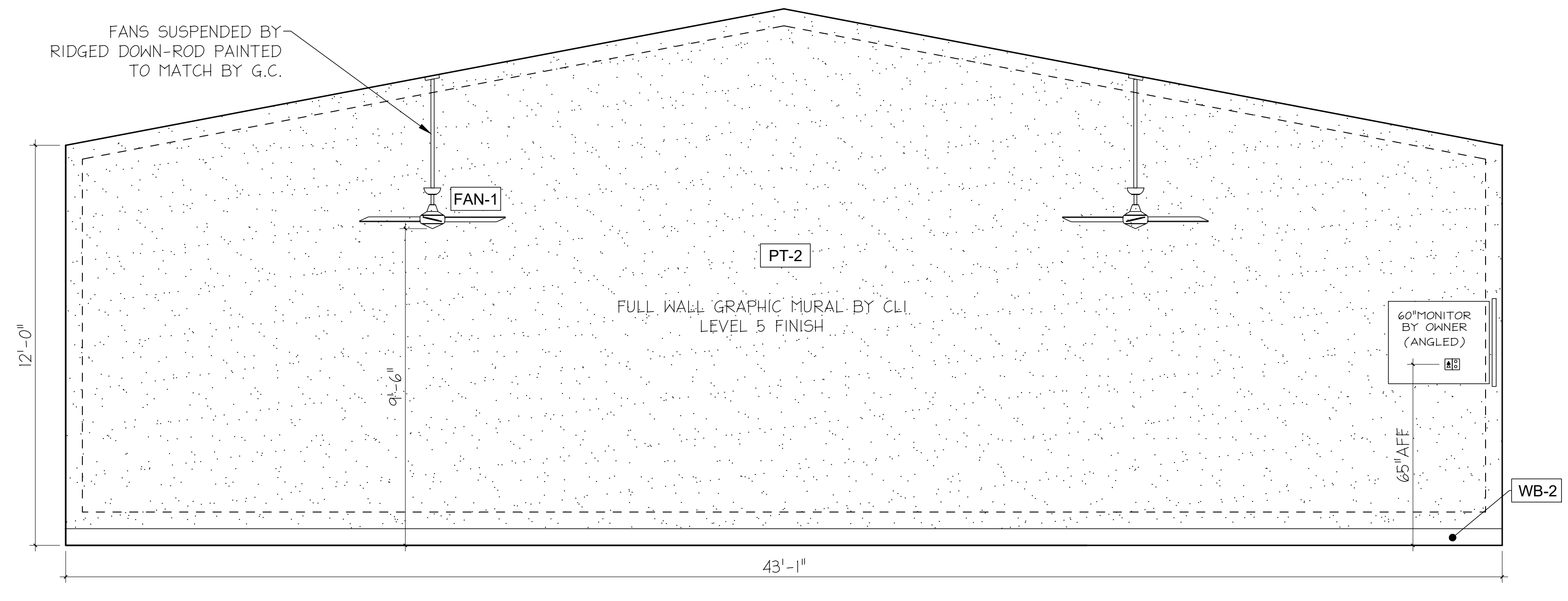
Creative License
 international

REVISIONS:	
INSTALL DATE:	
SCALE:	
DATE:	3-15-24
JOB NUMBER:	26507
DRAWN BY:	JMC/ AM
PM:	BK
AE:	JF
SHEET:	ID6

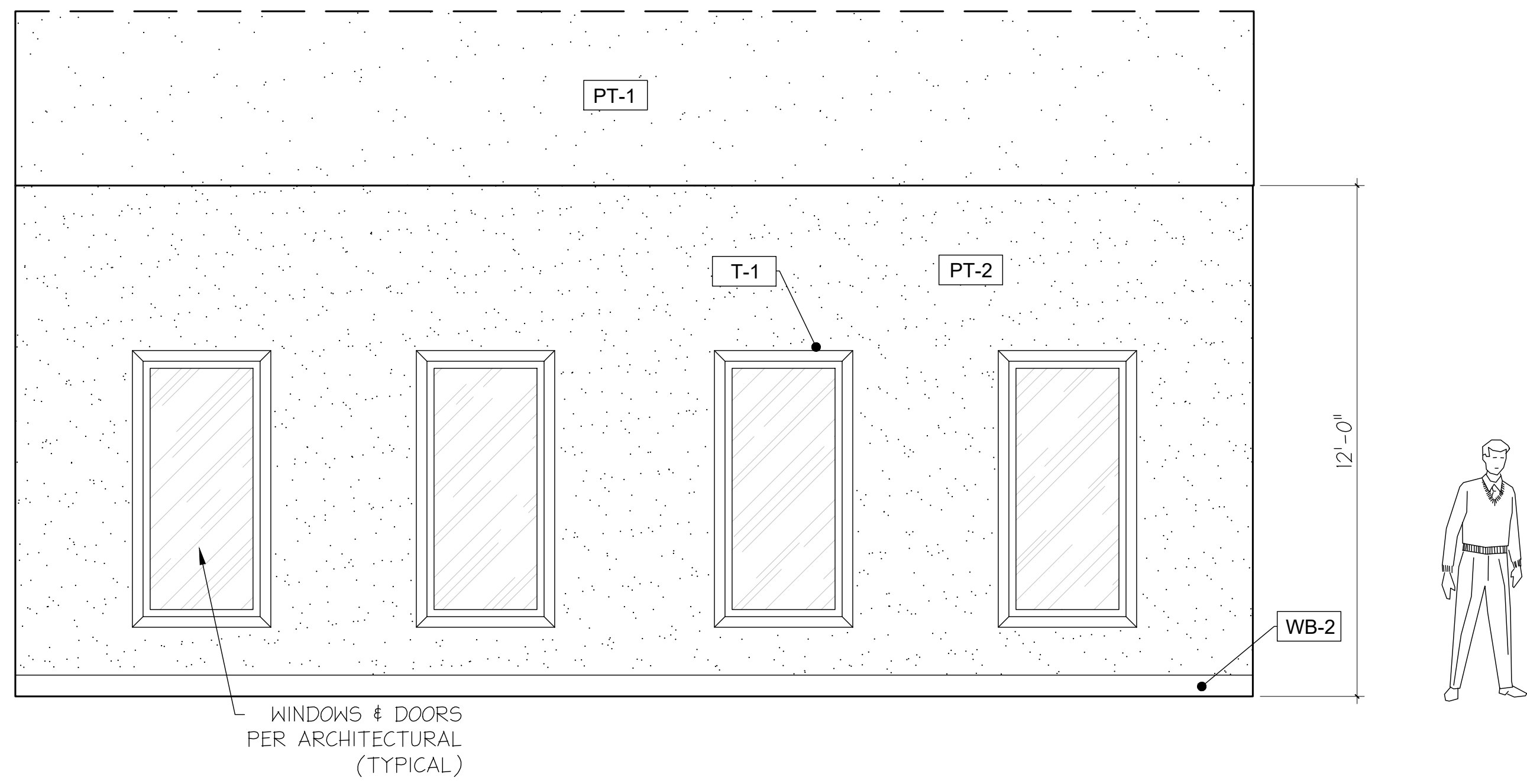
NOTES:
 THESE DOCUMENTS PROVIDE DESIGN INTENT ONLY AND ARE NOT TO BE USED FOR CONSTRUCTION. THE CONTRACTOR SHALL BE RESPONSIBLE FOR OBTAINING ALL NECESSARY PERMITS, APPROVALS, AND REGULATORY REQUIREMENTS. THE CONTRACTOR SHALL BE RESPONSIBLE FOR OBTAINING ALL NECESSARY PERMITS, APPROVALS, AND REGULATORY REQUIREMENTS. THE CONTRACTOR SHALL BE RESPONSIBLE FOR OBTAINING ALL NECESSARY PERMITS, APPROVALS, AND REGULATORY REQUIREMENTS. THE CONTRACTOR SHALL BE RESPONSIBLE FOR OBTAINING ALL NECESSARY PERMITS, APPROVALS, AND REGULATORY REQUIREMENTS.



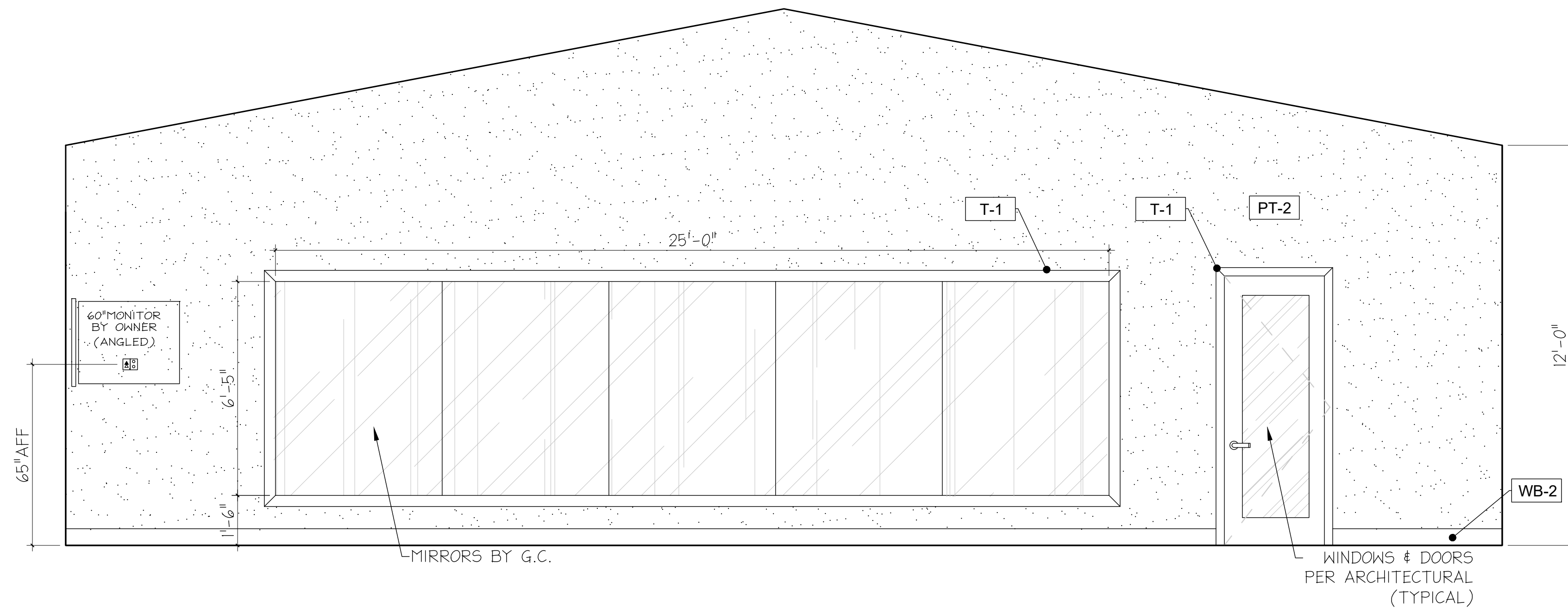
1 INTERIOR ELEVATION
 FITNESS SCALE: 3/8" = 1'-0"



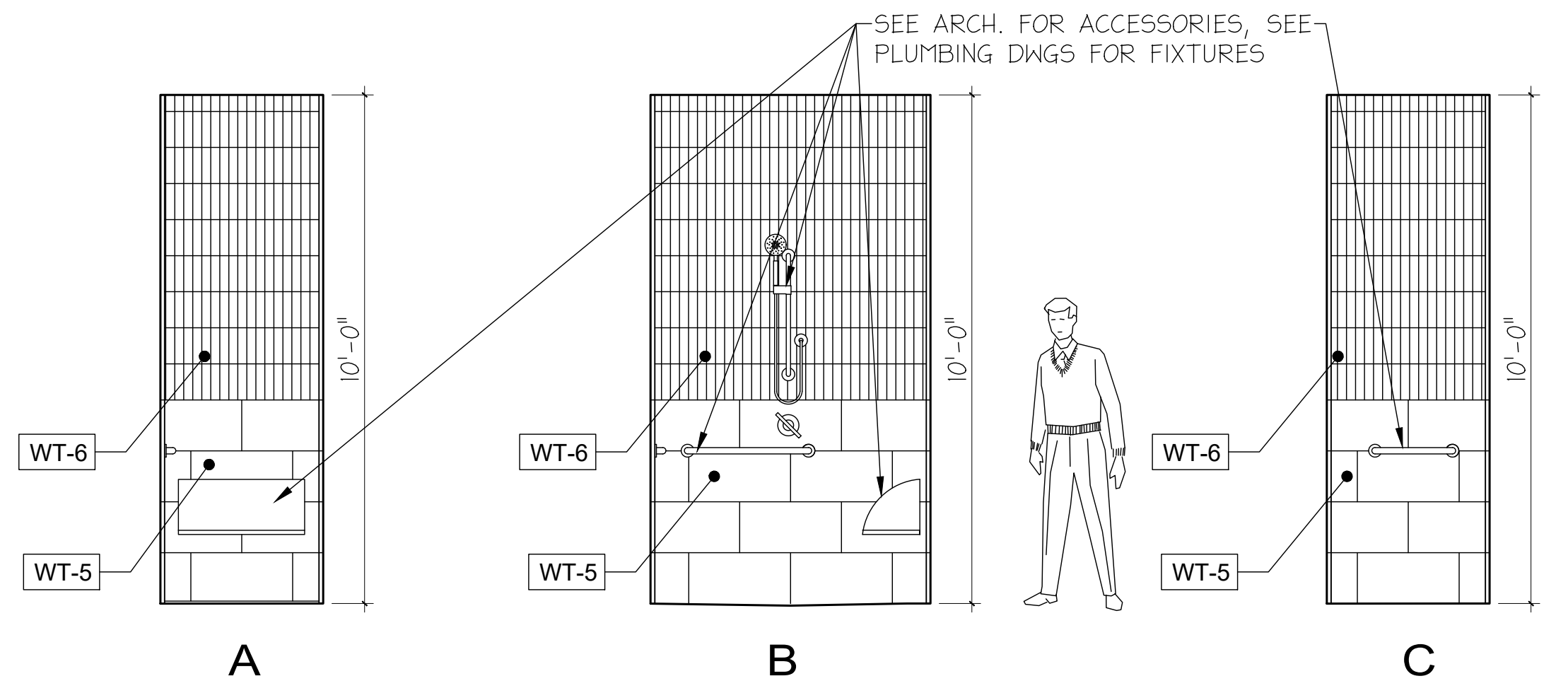
2 INTERIOR ELEVATION
 FITNESS SCALE: 3/8" = 1'-0"



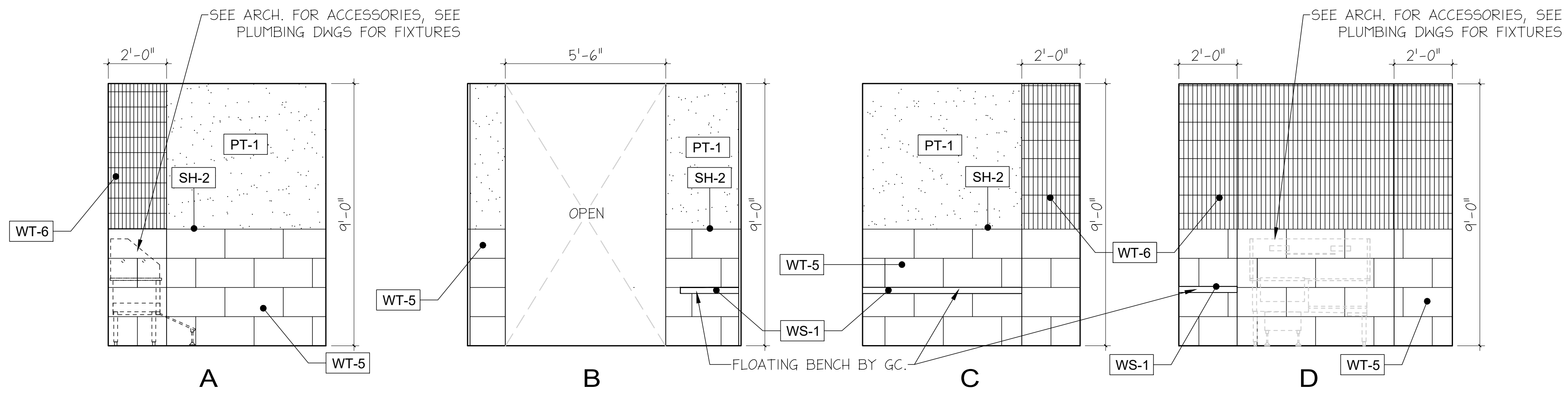
3 INTERIOR ELEVATION
 FITNESS SCALE: 3/8" = 1'-0"



4 INTERIOR ELEVATION
 FITNESS SCALE: 3/8" = 1'-0"



5 INTERIOR ELEVATION
 OUTDOOR SHOWER SCALE: 3/8" = 1'-0"



6 INTERIOR ELEVATION
 DOG WASH SCALE: 3/8" = 1'-0"

NOTE: REFER TO ID8 FOR FINISH SCHEDULE

CLIENT NAME: AHV COMMUNITIES
 PROJECT NAME: THE SUTTON - RECREATION CENTER & LEASING OFFICE
 PROJECT LOCATION: LIBERTY HILL, TX
 SHEET NAME: INTERIOR ELEVATIONS

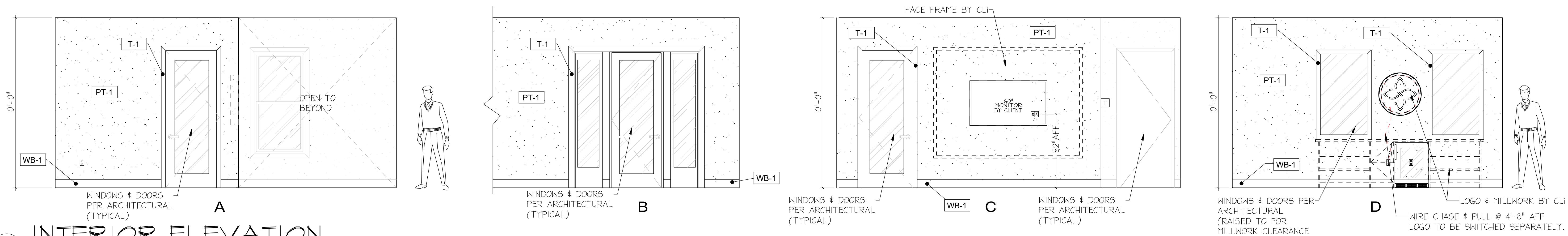
Creative License
 international

REVISIONS:	
INSTALL DATE:	
SCALE:	
DATE:	3-15-24
JOB NUMBER:	26507
DRAWN BY:	JMC/ AM
PM:	BK
AE:	JF

SHEET: ID6.2

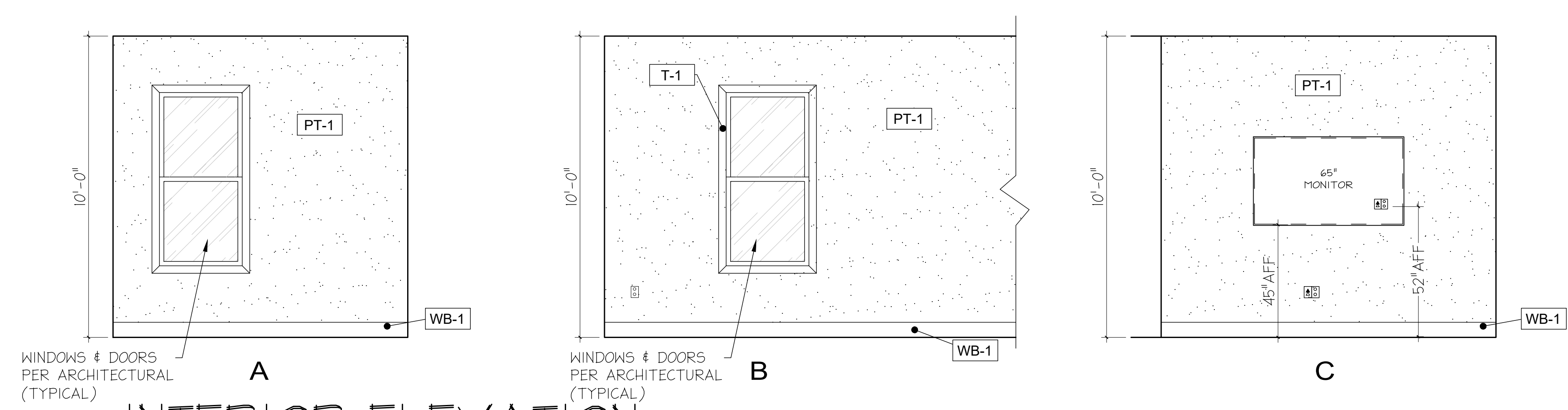
SHEET SIZE: 30" x 42"

NOTES:
 THESE DOCUMENTS PROVIDE DESIGN INTENT ONLY AND ARE NOT TO BE USED FOR CONSTRUCTION. THE ARCHITECTURAL, MECHANICAL, ELECTRICAL, AND PLUMBING CONTRACTORS SHALL VERIFY ALL DIMENSIONS, MATERIALS, AND FINISHES. THE ARCHITECT SHALL BE RESPONSIBLE FOR THE DESIGN AND CONSTRUCTION OF ALL WORK. THE ARCHITECT SHALL NOT BE RESPONSIBLE FOR THE DESIGN OR CONSTRUCTION OF ANY WORK NOT SHOWN ON THESE DOCUMENTS. THE ARCHITECT SHALL NOT BE RESPONSIBLE FOR THE DESIGN OR CONSTRUCTION OF ANY WORK NOT SHOWN ON THESE DOCUMENTS. THE ARCHITECT SHALL NOT BE RESPONSIBLE FOR THE DESIGN OR CONSTRUCTION OF ANY WORK NOT SHOWN ON THESE DOCUMENTS.



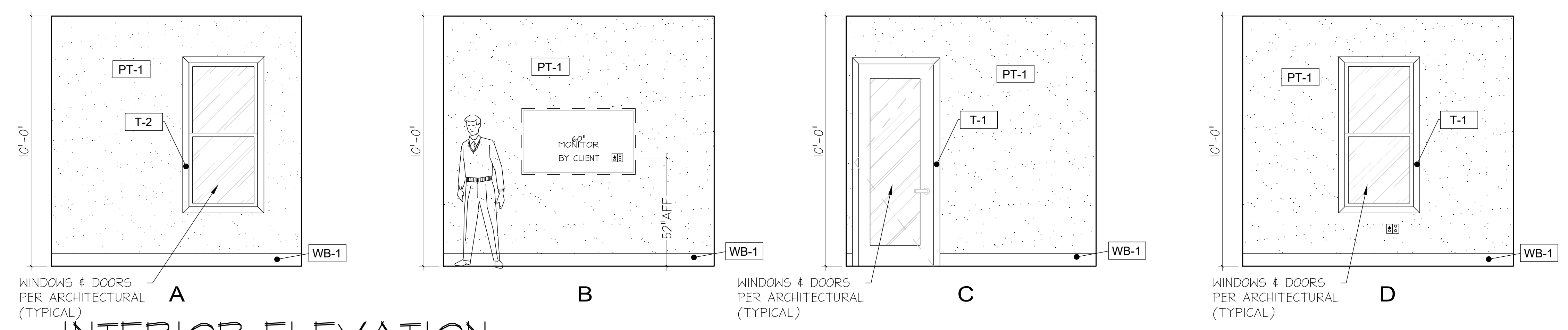
1 INTERIOR ELEVATION
 LOBBY

SCALE: 3/8" = 1'-0"



2 INTERIOR ELEVATION
 LEASING OFFICE 2

SCALE: 3/8" = 1'-0"



3 INTERIOR ELEVATION
 LEASING OFFICE 1

SCALE: 3/8" = 1'-0"

NOTE: REFER TO ID8 FOR FINISH SCHEDULE

CLIENT NAME: AHV COMMUNITIES
 PROJECT NAME: THE SUTTON - RECREATION CENTER & LEASING OFFICE
 PROJECT LOCATION: LIBERTY HILL, TX
 SHEET NUMBER: INTERIOR ELEVATIONS

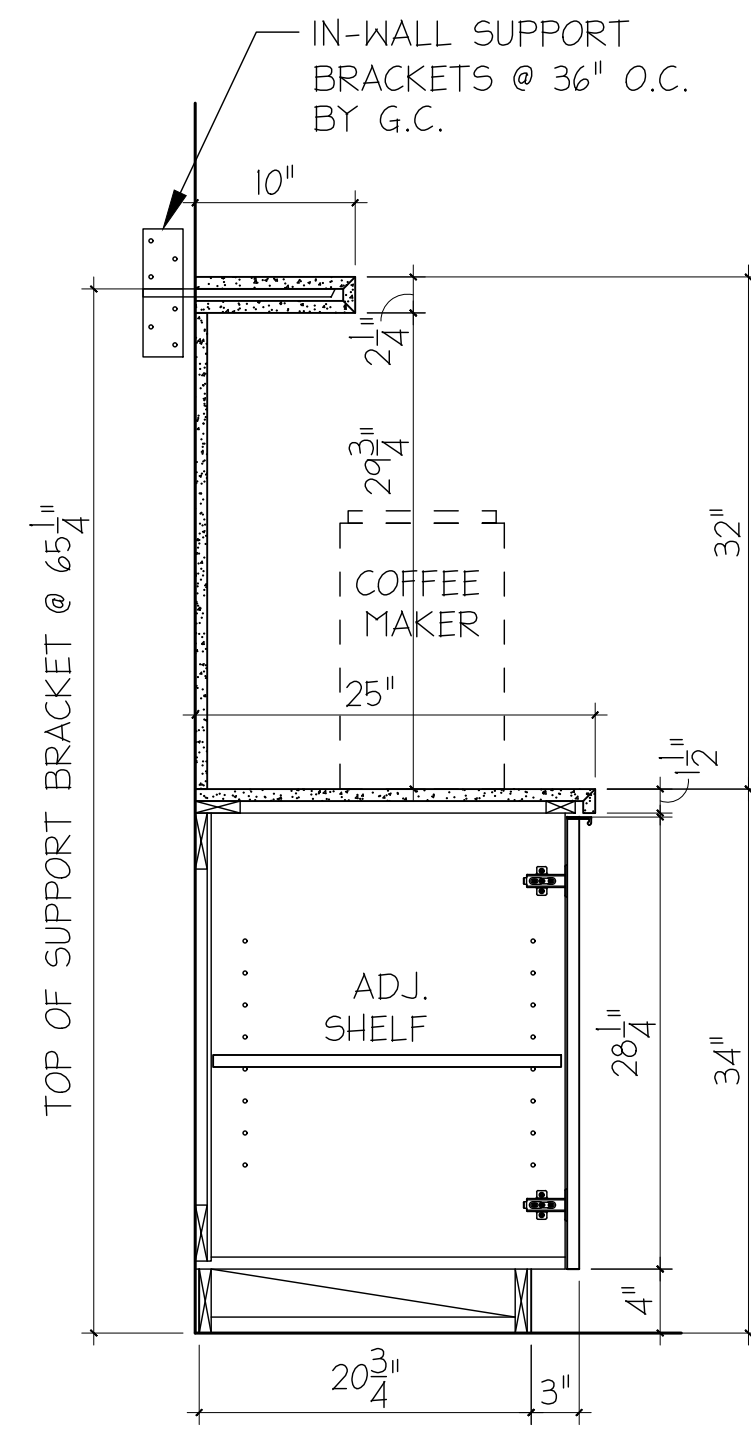


REVISIONS:	
INSTALL DATE:	
SCALE:	
DATE:	3-15-24
JOB NUMBER:	26507
DRAWN BY:	JMC/ AM
PM:	BK
AE:	JF

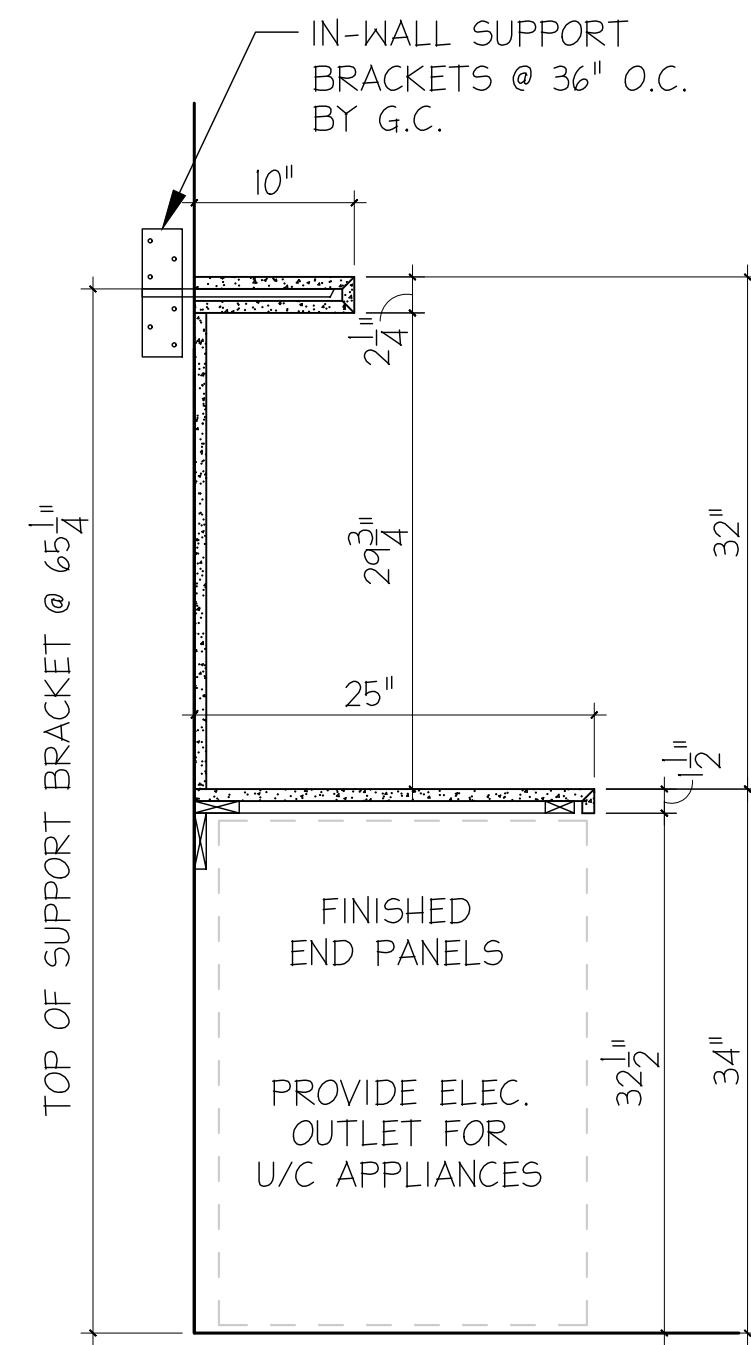
SHEET: ID6.3

SHEET SIZE: 30" x 42"

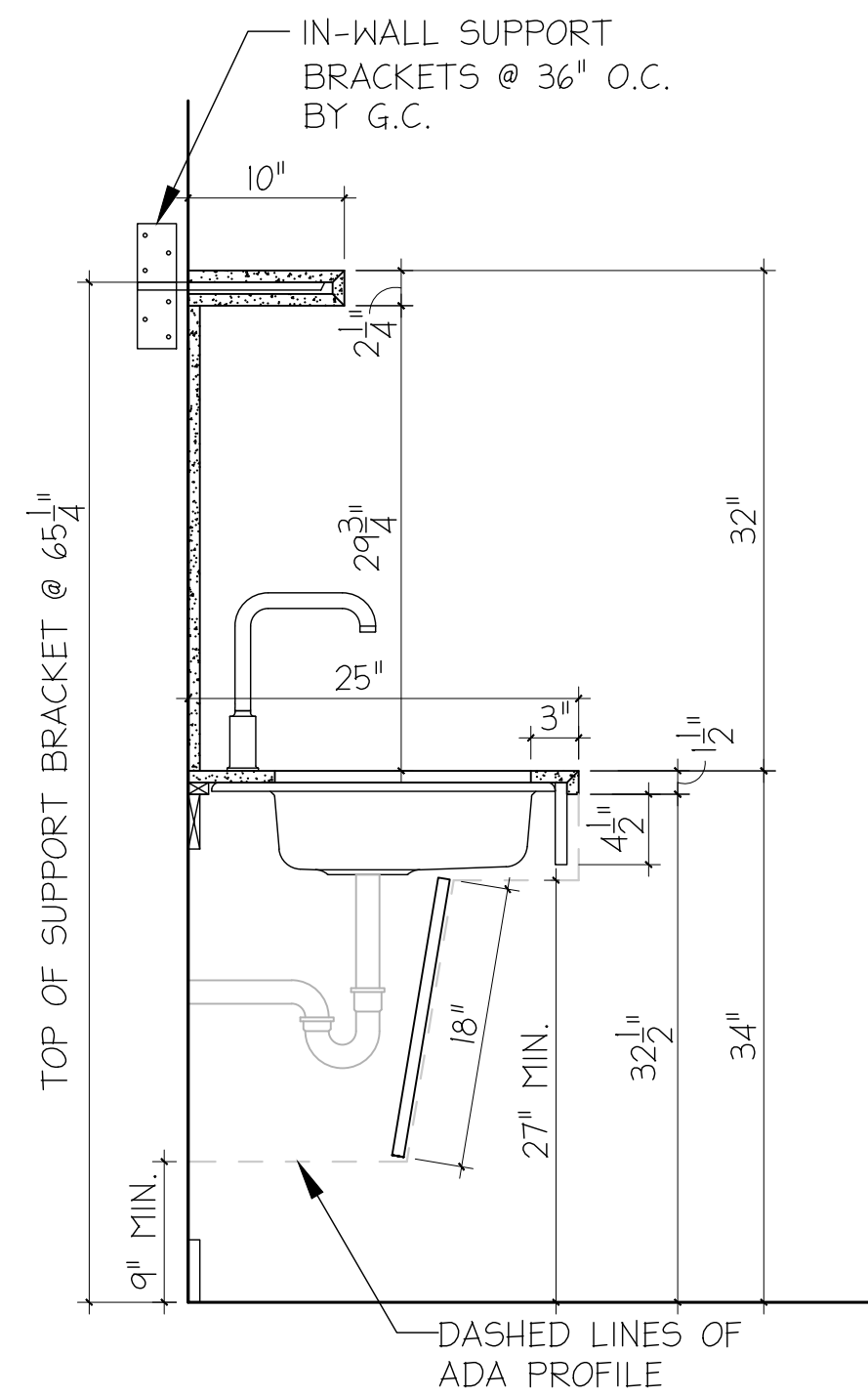
NOTE: REFER INTERIOR ELEVATIONS FOR FINISHES AND TO ID8 FOR FINISH SCHEDULE



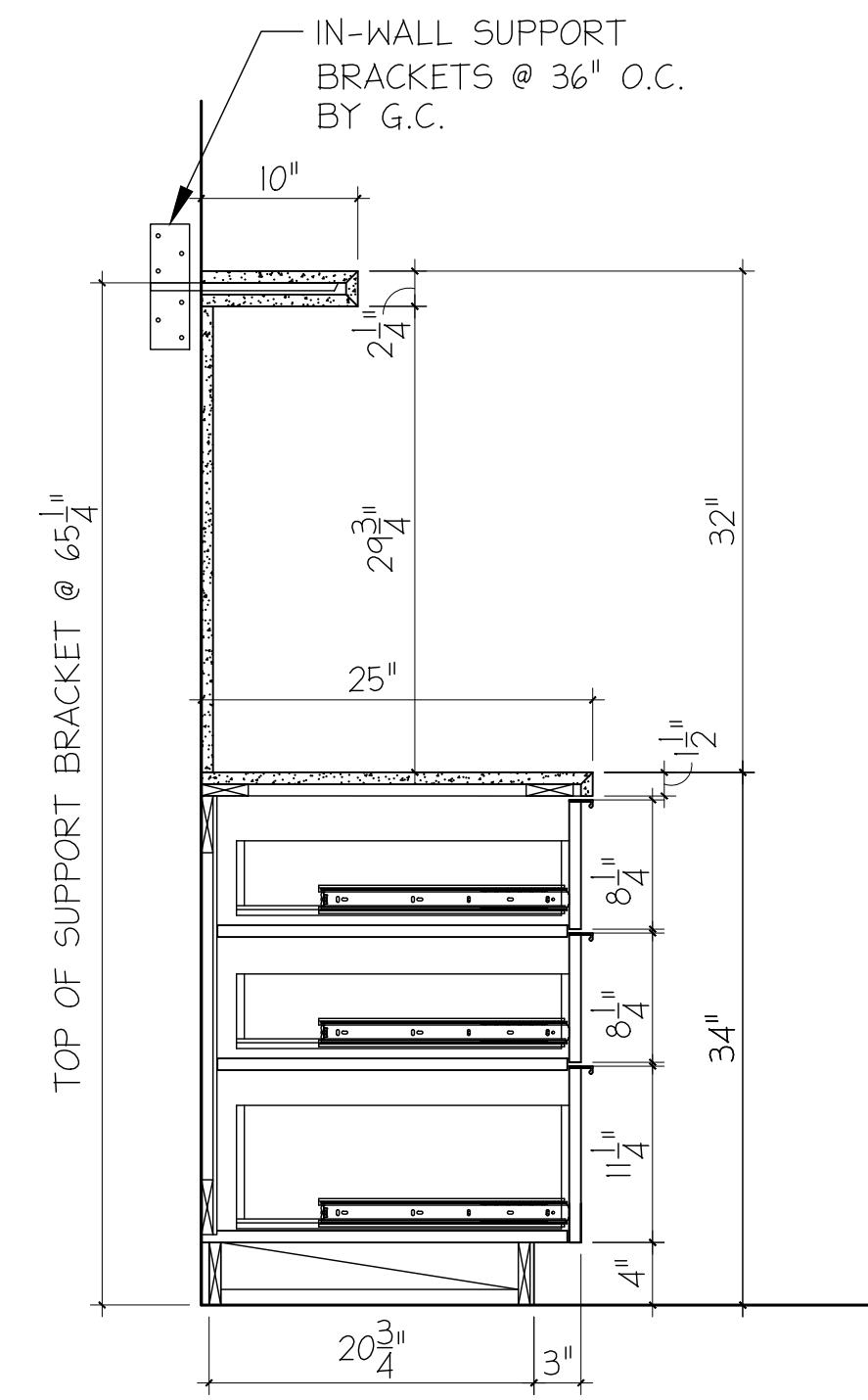
A SECTION
SCALE: 1" = 1'-0"



B SECTION
SCALE: 1" = 1'-0"



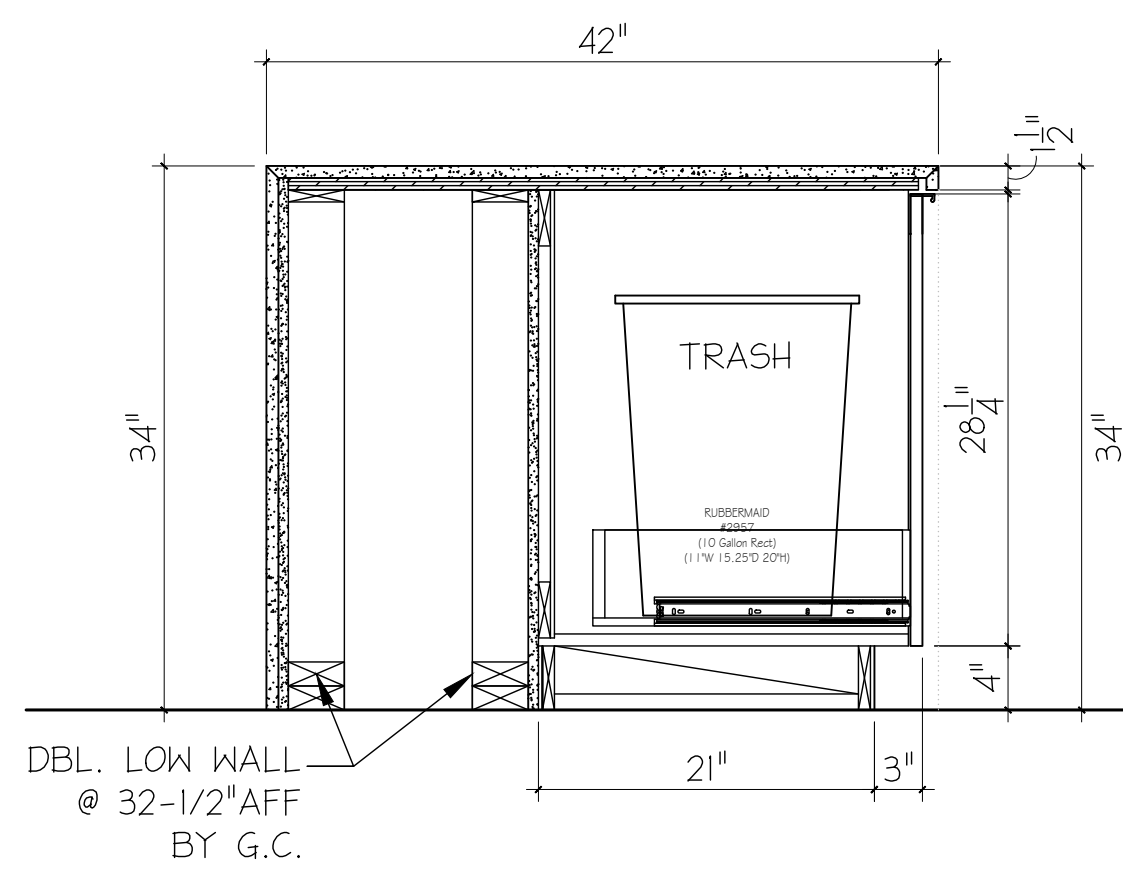
C SECTION
SCALE: 1" = 1'-0"



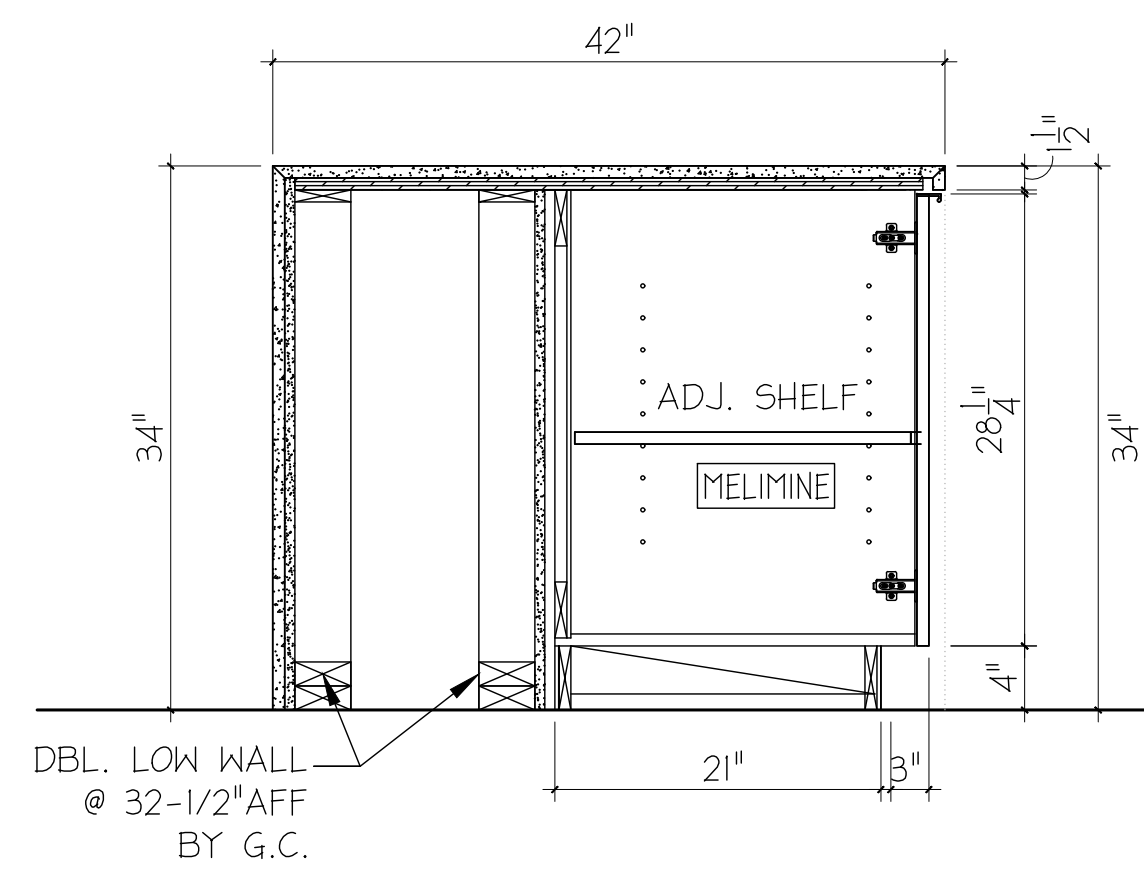
D SECTION
SCALE: 1" = 1'-0"



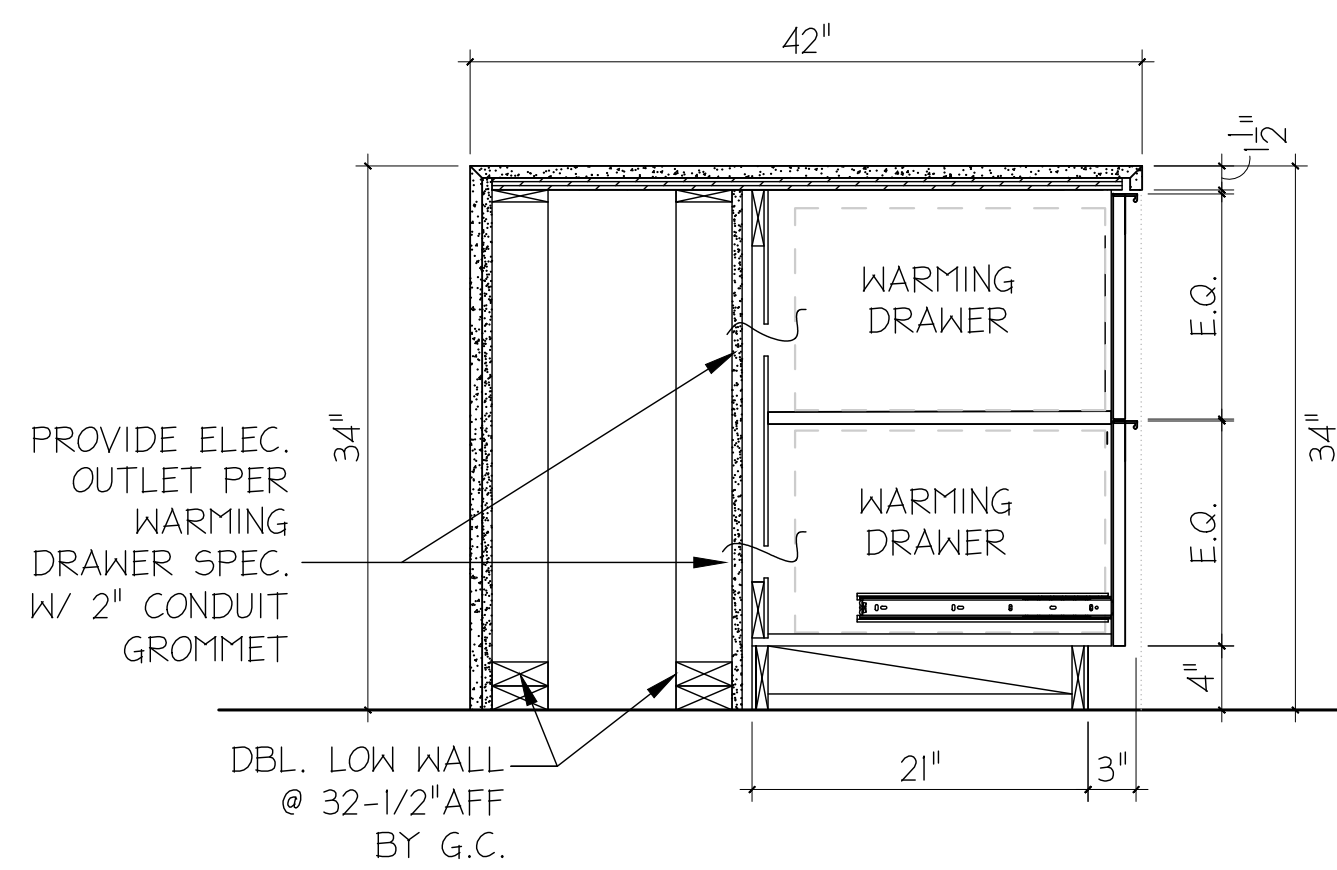
[HTTPS://ORIGINALGRANITEBRACKET.COM](https://originalgranitebracket.com)
P: 888-584-1112
NEW INDUSTRIAL FREE HANGING SHELF BRACKET



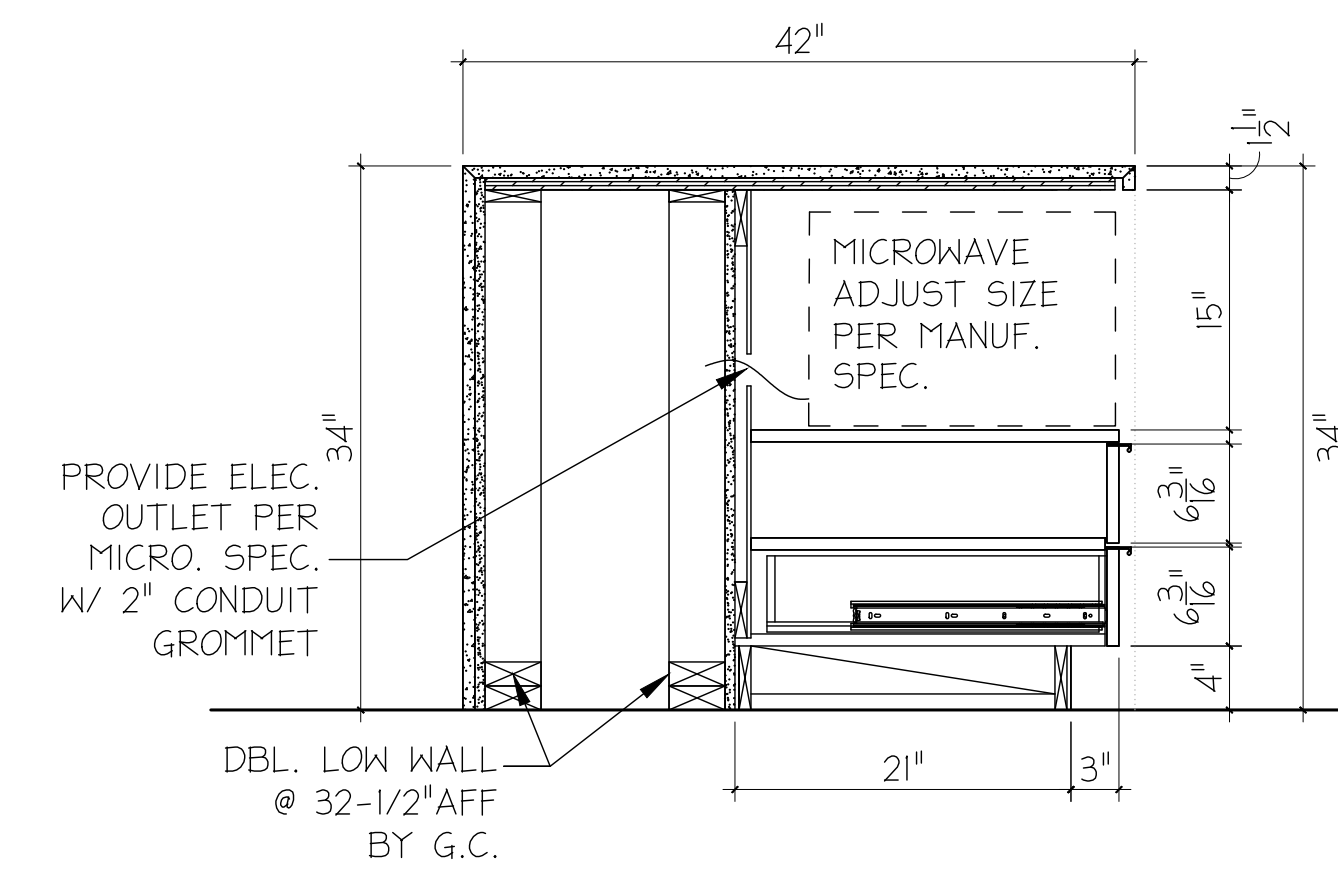
E SECTION
SCALE: 1" = 1'-0"



F SECTION
SCALE: 1" = 1'-0"



G SECTION
SCALE: 1" = 1'-0"



H SECTION
SCALE: 1" = 1'-0"

NOTE: REFER INTERIOR ELEVATIONS FOR FINISHES AND TO ID8 FOR FINISH SCHEDULE

NOTES:
1. THESE DOCUMENTS PROVIDE DESIGN INTENT ONLY AND ARE NOT TO BE USED FOR CONSTRUCTION. THE CONTRACTOR SHALL BE RESPONSIBLE FOR OBTAINING ALL NECESSARY PERMITS AND APPROVALS FROM ALL APPLICABLE AGENCIES AND REGULATORY BODIES. THE CONTRACTOR SHALL BE RESPONSIBLE FOR OBTAINING ALL NECESSARY PERMITS AND APPROVALS FROM ALL APPLICABLE AGENCIES AND REGULATORY BODIES. THE CONTRACTOR SHALL BE RESPONSIBLE FOR OBTAINING ALL NECESSARY PERMITS AND APPROVALS FROM ALL APPLICABLE AGENCIES AND REGULATORY BODIES. THE CONTRACTOR SHALL BE RESPONSIBLE FOR OBTAINING ALL NECESSARY PERMITS AND APPROVALS FROM ALL APPLICABLE AGENCIES AND REGULATORY BODIES.

CLIENT NAME: AHV COMMUNITIES
PROJECT NAME: THE SUTTON - RECREATION CENTER & LEASING OFFICE
PROJECT LOCATION: LIBERTY HILL, TX
SHEET NUMBER: SECTIONS & DETAILS



REVISIONS:

INSTALL DATE:
SCALE:
DATE: 3-15-24
JOB NUMBER: 26507
DRAWN BY: JMC/ AM
PM: BK
AE: JF

SHEET: ID7

THESE DOCUMENTS PROVIDE DESIGN ONLY AND ARE NOT TO BE USED FOR CONSTRUCTION WITHOUT THE ASSISTANCE OF A LICENSED ARCHITECT. THE ARCHITECT'S RESPONSIBILITY IS TO PROVIDE A DESIGN THAT MEETS THE CLIENT'S REQUIREMENTS AND TO SUPERVISE THE CONSTRUCTION OF THE PROJECT. THE ARCHITECT DOES NOT WARRANT THE ACCURACY OF THE INFORMATION PROVIDED HEREIN OR THE RESULTS OF ANY TESTS OR ANALYSES PERFORMED BY OTHERS. THE ARCHITECT'S LIABILITY IS LIMITED TO THE DESIGN SERVICES PROVIDED AND DOES NOT EXTEND TO ANY OTHER SERVICES OR TO THE CONSTRUCTION OF THE PROJECT.

CLIENT:	ANY COMMUNITIES	FINISH SCHEDULE
PROJECT NAME:	THE SUTTON	DATE ISSUED: 3-15-2024
CPT 1	CARPET	LOCATION: RECREATION CONFERENCE ROOM SOURCE: SHAW CONTRACT MANUFACTURER: SHAW CONTRACT COLLECTION: MODERN EDIT PATTERN: NHERIT 5429 COLOR: 65-85 84515 FIBER TYPE: Consideration Q8 Nylon WIDTH SIZE: 12 8 BROADLOOM CONSTRUCTION: Consideration Q100" Nylon FINISHED PILE THICKNESS: 10.175 in INSTALLATION PATTERN: REF. FLOORING PLAN LEAD TIME: 4-6 WEEKS REP: DAN DRAPER PHONE: 802-263-8453 EMAIL: dan.draper@shawcontract.com
	CARPET	LOCATION: LEASING PRIVATE OFFICES SOURCE: SHAW CONTRACT MANUFACTURER: SHAW CONTRACT COLLECTION: MODERN EDIT PATTERN: NHERIT 5429 COLOR: GRAY SLATE 64533 FIBER TYPE: Consideration Q8 Nylon WIDTH SIZE: 12 8 BROADLOOM CONSTRUCTION: Consideration Q100" Nylon FINISHED PILE THICKNESS: 10.175 in REPEAT: REF. FLOORING PLAN LEAD TIME: 4-6 WEEKS REP: DAN DRAPER PHONE: 802-263-8453 EMAIL: dan.draper@shawcontract.com
RF 1	RUBBER FLOORING	LOCATION: FITNESS SOURCE: FIT COLLECTION ELO2 MANUFACTURER: FIT COLLECTION ELO2 COLLECTION: 2.5 mm VULCANIZED COMPOSITION RUBBER SURFACE LAYER GRIPPIY GRAY 20 COLOR: 20mm 3171 x 227 (0.58m) x 2.5 (0.58m) WIDTH SIZE: 3.5 WEEKS CONSTRUCTION: 3.5 WEEKS LEAD TIME: 3.5 WEEKS REP: BILL HAGNER PHONE: 802-428-3364 EMAIL: bill.hagner@shawcontract.com
	TILE FLOORING	LOCATION: EXTERIOR WASH DOG WASH EXTERIOR SHOWER SOURCE: EMSEER TILE MANUFACTURER: EMSEER TILE COLLECTION: BORNOM FINISH: SATIN COLOR: BLACK WIDTH SIZE: 12" X 12" FRESH CONSTRUCTION: PORCELAIN INSTALL PATTERN: GRID, REF. FLOORING PLAN GROUT: MAPES 5010 BLACK LEAD TIME: 4 WEEKS REP: HEATHER KNIES PHONE: 802-263-8453 EMAIL: heather.knies@emseer.com
SC-1	CONCRETE STAIN	LOCATION: LOUNGE, RESTROOMS LEASING WAITING, RESTROOM SOURCE: GC PROVIDED MANUFACTURER: GC PROVIDED FINISH: AMERPOLISH COLOR: AQUA SHIELD, MATTE FINISH NOTE: 1/4 X 4 SAMPLE FOR REVIEW AT FRAMEWALK
	PAINT	LOCATION: RECREATION & LEASING TYPICAL WALL CO-WORKING SOURCE: SHERWIN WILLIAMS COLLECTION: NEUTRALS COLOR NAME: GRAY CLOUDS COLOR NUMBER: SW 7658 SHEEN: SATIN, SEMI GLOSS IN DOG WASH
PT-1	PAINT	LOCATION: RECREATION DOG WASH SOURCE: SHERWIN WILLIAMS COLLECTION: WHITES COLOR NAME: HIGH REFLECTIVE WHITE COLOR NUMBER: SW 7757 SHEEN: SATIN TYPICAL SEMI GLOSS IN DOG WASH
	PAINT	LOCATION: RECREATION KITCHEN MILKWORK CONFERENCE WALLS SOURCE: SHERWIN WILLIAMS COLLECTION: NEUTRALS COLOR NAME: POLYSCOT PFWINTER COLOR NUMBER: SW 7848 SHEEN: SATIN
PT-4	PAINT	LOCATION: RECREATION RESTROOMS SOURCE: SHERWIN WILLIAMS COLLECTION: BLUE LEE COLOR NAME: SEASPORTHY COLOR NUMBER: SW 7820 SHEEN: SATIN
	PAINT	LOCATION: LEASING RESTROOM SOURCE: SHERWIN WILLIAMS COLLECTION: NEUTRALS COLOR NAME: IRON ORE COLOR NUMBER: SW 7069 SHEEN: SATIN
WT 1	WALL TILE	LOCATION: RECREATION CO-WORKING SOURCE: EMSEER TILE MANUFACTURER: EMSEER TILE COLLECTION: PLACERB COLOR: WHITE WIDTH SIZE: 12" X 12" CONSTRUCTION: STACKED HORIZONTAL, REF. ELEVATIONS INSTALL PATTERN: BRICK HORIZONTAL, REF. ELEVATIONS GROUT: MAPES 5021 MOONBEAM LEAD TIME: 4 WEEKS REP: HEATHER KNIES PHONE: 802-263-8453 EMAIL: heather.knies@emseer.com
	WALL TILE	LOCATION: RECREATION GREAT ROOM SOURCE: EMSEER TILE MANUFACTURER: EMSEER TILE COLLECTION: TERRAMOR FINISH: NERO COLOR: NERO WIDTH SIZE: 12" X 47" GROOVE CONSTRUCTION: PORCELAIN INSTALL PATTERN: STACKED HORIZONTAL, REF. ELEVATIONS GROUT: MAPES 5010 NOIR LEAD TIME: 4 WEEKS REP: HEATHER KNIES PHONE: 802-263-8453 EMAIL: heather.knies@emseer.com
WT 2	WALL TILE	LOCATION: RECREATION RESTROOMS SOURCE: EMSEER TILE MANUFACTURER: EMSEER TILE COLLECTION: EMERSON WOOD PLANK FINISH: MATTE COLOR: ASH WHITE E906 WIDTH SIZE: 12" X 48" CONSTRUCTION: COLOREDDY PORCELAIN INSTALL PATTERN: REF. ELEVATIONS GROUT: MAPES 5001 ALABASTER LEAD TIME: 4 WEEKS REP: HEATHER KNIES PHONE: 802-263-8453 EMAIL: heather.knies@emseer.com
	WALL TILE	LOCATION: RECREATION RESTROOMS SOURCE: EMSEER TILE MANUFACTURER: EMSEER TILE COLLECTION: EMERSON WOOD 3D CUBE FINISH: MATTE COLOR: ASH WHITE E906 WIDTH SIZE: 12" X 12" CONSTRUCTION: COLOREDDY PORCELAIN INSTALL PATTERN: REF. ELEVATIONS GROUT: MAPES 5001 ALABASTER LEAD TIME: 4 WEEKS REP: HEATHER KNIES PHONE: 802-263-8453 EMAIL: heather.knies@emseer.com
WT 3	WALL TILE	LOCATION: RECREATION RESTROOMS SOURCE: EMSEER TILE MANUFACTURER: EMSEER TILE COLLECTION: EMERSON WOOD 3D CUBE FINISH: MATTE COLOR: ASH WHITE E906 WIDTH SIZE: 12" X 12" CONSTRUCTION: COLOREDDY PORCELAIN INSTALL PATTERN: REF. ELEVATIONS GROUT: MAPES 5001 ALABASTER LEAD TIME: 4 WEEKS REP: HEATHER KNIES PHONE: 802-263-8453 EMAIL: heather.knies@emseer.com
	WALL TILE	LOCATION: RECREATION DOG WASH & EXTERIOR SHOWER SOURCE: EMSEER TILE MANUFACTURER: EMSEER TILE COLLECTION: BORNOM FINISH: SATIN COLOR: BLACK WIDTH SIZE: 12" X 12" CONSTRUCTION: PORCELAIN INSTALL PATTERN: BRICK HORIZONTAL, REF. ELEVATIONS GROUT: MAPES 5010 BLACK LEAD TIME: 4 WEEKS REP: HEATHER KNIES PHONE: 802-263-8453 EMAIL: heather.knies@emseer.com
WT 4	WALL TILE	LOCATION: RECREATION DOG WASH & EXTERIOR SHOWER SOURCE: EMSEER TILE MANUFACTURER: EMSEER TILE COLLECTION: BORNOM FINISH: SATIN COLOR: BLACK WIDTH SIZE: 12" X 12" CONSTRUCTION: PORCELAIN INSTALL PATTERN: BRICK HORIZONTAL, REF. ELEVATIONS GROUT: MAPES 5010 BLACK LEAD TIME: 4 WEEKS REP: HEATHER KNIES PHONE: 802-263-8453 EMAIL: heather.knies@emseer.com
	WALL TILE	LOCATION: RECREATION DOG WASH & EXTERIOR SHOWER SOURCE: EMSEER TILE MANUFACTURER: EMSEER TILE COLLECTION: BORNOM FINISH: SATIN COLOR: BLACK WIDTH SIZE: 12" X 12" CONSTRUCTION: PORCELAIN INSTALL PATTERN: BRICK HORIZONTAL, REF. ELEVATIONS GROUT: MAPES 5010 BLACK LEAD TIME: 4 WEEKS REP: HEATHER KNIES PHONE: 802-263-8453 EMAIL: heather.knies@emseer.com
WT 5	WALL TILE	LOCATION: RECREATION DOG WASH & EXTERIOR SHOWER SOURCE: EMSEER TILE MANUFACTURER: EMSEER TILE COLLECTION: BORNOM FINISH: SATIN COLOR: BLACK WIDTH SIZE: 12" X 12" CONSTRUCTION: PORCELAIN INSTALL PATTERN: BRICK HORIZONTAL, REF. ELEVATIONS GROUT: MAPES 5010 BLACK LEAD TIME: 4 WEEKS REP: HEATHER KNIES PHONE: 802-263-8453 EMAIL: heather.knies@emseer.com
	WALL TILE	LOCATION: RECREATION DOG WASH & EXTERIOR SHOWER SOURCE: EMSEER TILE MANUFACTURER: EMSEER TILE COLLECTION: BORNOM FINISH: SATIN COLOR: BLACK WIDTH SIZE: 12" X 12" CONSTRUCTION: PORCELAIN INSTALL PATTERN: BRICK HORIZONTAL, REF. ELEVATIONS GROUT: MAPES 5010 BLACK LEAD TIME: 4 WEEKS REP: HEATHER KNIES PHONE: 802-263-8453 EMAIL: heather.knies@emseer.com
WT 6	WALL TILE	LOCATION: RECREATION DOG WASH & EXTERIOR SHOWER SOURCE: EMSEER TILE MANUFACTURER: EMSEER TILE COLLECTION: BORNOM FINISH: SATIN COLOR: BLACK WIDTH SIZE: 12" X 12" CONSTRUCTION: PORCELAIN INSTALL PATTERN: BRICK HORIZONTAL, REF. ELEVATIONS GROUT: MAPES 5010 BLACK LEAD TIME: 4 WEEKS REP: HEATHER KNIES PHONE: 802-263-8453 EMAIL: heather.knies@emseer.com
	WALL TILE	LOCATION: RECREATION DOG WASH & EXTERIOR SHOWER SOURCE: EMSEER TILE MANUFACTURER: EMSEER TILE COLLECTION: BORNOM FINISH: SATIN COLOR: BLACK WIDTH SIZE: 12" X 12" CONSTRUCTION: PORCELAIN INSTALL PATTERN: BRICK HORIZONTAL, REF. ELEVATIONS GROUT: MAPES 5010 BLACK LEAD TIME: 4 WEEKS REP: HEATHER KNIES PHONE: 802-263-8453 EMAIL: heather.knies@emseer.com

WT 7	WALL TILE	LOCATION: LEASING UNSEX RESTROOM SOURCE: EMSEER TILE MANUFACTURER: EMSEER TILE COLLECTION: ARTISAN FINISH: GLAZED COLOR: BIANCO WIDTH SIZE: 12" X 12" CONSTRUCTION: CERAMIC INSTALL PATTERN: STACKED VERTICAL, REF. ELEVATIONS GROUT: MAPES 5021 WARM GRAY LEAD TIME: 4 WEEKS REP: HEATHER KNIES PHONE: 802-263-8453 EMAIL: heather.knies@emseer.com
	WOOD PANELING	LOCATION: RECREATION KITCHEN SOURCE: MANUFACTURER: FINJAM PATTERN: MARVEST COLOR NAME / NUMBER: WHITE OAK CONTENT: 1/2" VERTICAL DIRECTION: VERTICAL ON UPPER BACKSPLASH WALL, DIRECTION CONTINUING ONTO CEILING LEAD TIME: 4 WEEKS REP: LALITA KAKINS PHONE: 802-470-1902 EMAIL: lalita@joearch.com
WP 1	WOOD PANELING	LOCATION: RECREATION COWORKING NOIR SOURCE: WOOD VENEER HUB MANUFACTURER: WOOD VENEER HUB PATTERN: ACOUSTIC SLAT WOOD WALL PANELS COLOR NAME / NUMBER: BLACK MATTE CONTENT: POLYESTER, MDF VENEER SIZE: 47" X 14" W DIRECTION: VERTICAL LEAD TIME: 2 WEEKS WEBSITE: https://www.thewoodveneerhub.com/collections/acoustic-slat-wall-panels
	WOOD PANELING	LOCATION: LEASING CEILING SOURCE: WOOD VENEER HUB MANUFACTURER: WOOD VENEER HUB PATTERN: ACOUSTIC SLAT WOOD WALL PANELS COLOR NAME / NUMBER: POLYESTER, MDF VENEER SIZE: 34"49" L X 26"2" W X 0.78" D DIRECTION: VERTICAL LEAD TIME: 2 WEEKS WEBSITE: https://www.thewoodveneerhub.com/collections/acoustic-slat-wall-panels
WP 2	WOOD PANELING	LOCATION: LEASING CEILING SOURCE: WOOD VENEER HUB MANUFACTURER: WOOD VENEER HUB PATTERN: ACOUSTIC SLAT WOOD WALL PANELS COLOR NAME / NUMBER: POLYESTER, MDF VENEER SIZE: 34"49" L X 26"2" W X 0.78" D DIRECTION: VERTICAL LEAD TIME: 2 WEEKS WEBSITE: https://www.thewoodveneerhub.com/collections/acoustic-slat-wall-panels
	WOOD PANELING	LOCATION: LEASING CEILING SOURCE: WOOD VENEER HUB MANUFACTURER: WOOD VENEER HUB PATTERN: ACOUSTIC SLAT WOOD WALL PANELS COLOR NAME / NUMBER: POLYESTER, MDF VENEER SIZE: 34"49" L X 26"2" W X 0.78" D DIRECTION: VERTICAL LEAD TIME: 2 WEEKS WEBSITE: https://www.thewoodveneerhub.com/collections/acoustic-slat-wall-panels
WP 3	WOOD PANELING	LOCATION: LEASING CEILING SOURCE: WOOD VENEER HUB MANUFACTURER: WOOD VENEER HUB PATTERN: ACOUSTIC SLAT WOOD WALL PANELS COLOR NAME / NUMBER: POLYESTER, MDF VENEER SIZE: 34"49" L X 26"2" W X 0.78" D DIRECTION: VERTICAL LEAD TIME: 2 WEEKS WEBSITE: https://www.thewoodveneerhub.com/collections/acoustic-slat-wall-panels
	WOOD PANELING	LOCATION: LEASING CEILING SOURCE: WOOD VENEER HUB MANUFACTURER: WOOD VENEER HUB PATTERN: ACOUSTIC SLAT WOOD WALL PANELS COLOR NAME / NUMBER: POLYESTER, MDF VENEER SIZE: 34"49" L X 26"2" W X 0.78" D DIRECTION: VERTICAL LEAD TIME: 2 WEEKS WEBSITE: https://www.thewoodveneerhub.com/collections/acoustic-slat-wall-panels
WB 1	WALL BASE	LOCATION: TYPICAL SOURCE: GC PROVIDED MANUFACTURER: GC PROVIDED STYLE / MATERIAL: WOOD, SQUARE EDGE PRODUCT NUMBER: NA COLOR NAME / NUMBER: PT-5 SATIN HEIGHT: 4"
	WALL BASE	LOCATION: FITNESS SOURCE: GC PROVIDED MANUFACTURER: GC PROVIDED STYLE / MATERIAL: MULLION WALL FINISHING SYSTEM PRODUCT NUMBER: MANDALY PROFILE 6TH COLOR NAME / NUMBER: BLACK 40 HEIGHT: 4"
TR 1	WOOD TRIM	LOCATION: TYPICAL SOURCE: GC PROVIDED MANUFACTURER: GC PROVIDED STYLE / MATERIAL: WOOD, SQUARE EDGE PRODUCT NUMBER: NA COLOR NAME / NUMBER: PT-5 SATIN HEIGHT / GAUSE: 3" W
	COUNTERTOP	LOCATION: RECREATION KITCHEN SOURCE: COSENTINO MANUFACTURER: COSENTINO PATTERN / COLOR: BLENSTONE COLOR NAME / NUMBER: ECT. MARQUINA SLAB THICKNESS: 3CM FINISH: POLISHED EDGE DETAIL: EASED EDGE LEAD TIME: 4 WEEKS REP: KENT SCHWEISS PHONE: 480-783-8400 EMAIL: kschweiss@cosentino.com
CT 1	COUNTERTOP	LOCATION: RECREATION RESTROOMS SOURCE: COSENTINO MANUFACTURER: COSENTINO PATTERN / COLOR: BLENSTONE COLOR NAME / NUMBER: ECT. MARQUINA SLAB THICKNESS: 3CM FINISH: POLISHED EDGE DETAIL: EASED EDGE LEAD TIME: 4 WEEKS REP: KENT SCHWEISS PHONE: 480-783-8400 EMAIL: kschweiss@cosentino.com
	COUNTERTOP	LOCATION: LEASING RESTROOM SOURCE: COSENTINO MANUFACTURER: COSENTINO PATTERN / COLOR: BLENSTONE COLOR NAME / NUMBER: ECT. MARQUINA SLAB THICKNESS: 3CM FINISH: POLISHED EDGE DETAIL: EASED EDGE LEAD TIME: 4 WEEKS REP: KENT SCHWEISS PHONE: 480-783-8400 EMAIL: kschweiss@cosentino.com
CT 2	COUNTERTOP	LOCATION: RECREATION KITCHEN COWORKING SOURCE: COSENTINO MANUFACTURER: COSENTINO PATTERN / COLOR: BLENSTONE COLOR NAME / NUMBER: ECT. MARQUINA SLAB THICKNESS: 3CM FINISH: POLISHED EDGE DETAIL: EASED EDGE LEAD TIME: 4 WEEKS REP: KENT SCHWEISS PHONE: 480-783-8400 EMAIL: kschweiss@cosentino.com
	COUNTERTOP	LOCATION: RECREATION KITCHEN COWORKING SOURCE: COSENTINO MANUFACTURER: COSENTINO PATTERN / COLOR: BLENSTONE COLOR NAME / NUMBER: ECT. MARQUINA SLAB THICKNESS: 3CM FINISH: POLISHED EDGE DETAIL: EASED EDGE LEAD TIME: 4 WEEKS REP: KENT SCHWEISS PHONE: 480-783-8400 EMAIL: kschweiss@cosentino.com
WB 1	COUNTERTOP	LOCATION: RECREATION KITCHEN COWORKING SOURCE: COSENTINO MANUFACTURER: COSENTINO PATTERN / COLOR: BLENSTONE COLOR NAME / NUMBER: ECT. MARQUINA SLAB THICKNESS: 3CM FINISH: POLISHED EDGE DETAIL: EASED EDGE LEAD TIME: 4 WEEKS REP: KENT SCHWEISS PHONE: 480-783-8400 EMAIL: kschweiss@cosentino.com
	COUNTERTOP	LOCATION: RECREATION KITCHEN COWORKING SOURCE: COSENTINO MANUFACTURER: COSENTINO PATTERN / COLOR: BLENSTONE COLOR NAME / NUMBER: ECT. MARQUINA SLAB THICKNESS: 3CM FINISH: POLISHED EDGE DETAIL: EASED EDGE LEAD TIME: 4 WEEKS REP: KENT SCHWEISS PHONE: 480-783-8400 EMAIL: kschweiss@cosentino.com
HD 1	DRAWER PULL	LOCATION: RECREATION KITCHEN SOURCE: AMERPROCK MANUFACTURER: AMERPROCK ITEM: MONUMENT ITEM NUMBER: RP3000FB FINISH: BLACK SIZE: 6-13/16" LEAD TIME: 2 WEEKS WEBSITE: https://www.amerrock.com/subsite/hardware/monument/
	DRAWER PULL	LOCATION: RECREATION KITCHEN SOURCE: AMERPROCK MANUFACTURER: AMERPROCK ITEM: MONUMENT ITEM NUMBER: RP3000FB FINISH: BLACK SIZE: 6-13/16" LEAD TIME: 2 WEEKS WEBSITE: https://www.amerrock.com/subsite/hardware/monument/
HD 2	DRAWER PULL	LOCATION: RECREATION KITCHEN SOURCE: AMERPROCK MANUFACTURER: AMERPROCK ITEM: MONUMENT ITEM NUMBER: RP3000FB FINISH: BLACK SIZE: 6-13/16" LEAD TIME: 2 WEEKS WEBSITE: https://www.amerrock.com/subsite/hardware/monument/
	DRAWER PULL	LOCATION: RECREATION KITCHEN SOURCE: AMERPROCK MANUFACTURER: AMERPROCK ITEM: MONUMENT ITEM NUMBER: RP3000FB FINISH: BLACK SIZE: 6-13/16" LEAD TIME: 2 WEEKS WEBSITE: https://www.amerrock.com/subsite/hardware/monument/
CAB 1	DRAWER PULL	LOCATION: RECREATION KITCHEN SOURCE: AMERPROCK MANUFACTURER: AMERPROCK ITEM: MONUMENT ITEM NUMBER: RP3000FB FINISH: BLACK SIZE: 6-13/16" LEAD TIME: 2 WEEKS WEBSITE: https://www.amerrock.com/subsite/hardware/monument/
	DRAWER PULL	LOCATION: RECREATION KITCHEN SOURCE: AMERPROCK MANUFACTURER: AMERPROCK ITEM: MONUMENT ITEM NUMBER: RP3000FB FINISH: BLACK SIZE: 6-13/16" LEAD TIME: 2 WEEKS WEBSITE: https://www.amerrock.com/subsite/hardware/monument/
CB-1	CEILING BEAM	LOCATION: RECREATION SOURCE: BARRON DESIGNS MANUFACTURER: BARRON DESIGNS COLLECTION: WOOD & FAUX BEAMS PATTERN: RESAWN FAUX WOOD BEAMS COLOR: WARM NATURAL SHAPE: 12" X 12" SQUARE FRAME: N/A LEAD TIME: 8-10 WEEKS WEBSITE: https://www.barrondesigns.com/
	FLOORING TRANSITION	LOCATION: RECREATION & LEASING CONCRETE TO CARPET SOURCE: SCHLUTER MANUFACTURER: SCHLUTER STYLE / MATERIAL: VINPRO-U COLOR NAME / NUMBER: BRUSHED NICKEL ANODIZED WIDTH SIZE: 12-5/8" LEAD TIME: 2 WEEKS WEBSITE: https://www.schluter.com/
SH-1	WALL TILE TRANSITION	LOCATION: RECREATION RESTROOMS SOURCE: SCHLUTER MANUFACTURER: SCHLUTER STYLE / MATERIAL: RONDEC COLOR NAME / NUMBER: BRUSHED NICKEL ANODIZED WIDTH SIZE: 12-5/8" LEAD TIME: 2 WEEKS WEBSITE: https://www.schluter.com/
	WALL TILE TRANSITION	LOCATION: RECREATION RESTROOMS SOURCE: SCHLUTER MANUFACTURER: SCHLUTER STYLE / MATERIAL: RONDEC COLOR NAME / NUMBER: BRUSHED NICKEL ANODIZED WIDTH SIZE: 12-5/8" LEAD TIME: 2 WEEKS WEBSITE: https://www.schluter.com/
SH-2	WALL TILE TRANSITION	LOCATION: RECREATION RESTROOMS SOURCE: SCHLUTER MANUFACTURER: SCHLUTER STYLE / MATERIAL: RONDEC COLOR NAME / NUMBER: BRUSHED NICKEL ANODIZED WIDTH SIZE: 12-5/8" LEAD TIME: 2 WEEKS WEBSITE: https://www.schluter.com/
	WALL TILE TRANSITION	LOCATION: RECREATION RESTROOMS SOURCE: SCHLUTER MANUFACTURER: SCHLUTER STYLE / MATERIAL: RONDEC COLOR NAME / NUMBER: BRUSHED NICKEL ANODIZED WIDTH SIZE: 12-5/8" LEAD TIME: 2 WEEKS WEBSITE: https://www.schluter.com/
SH-3	WALL TILE TRANSITION	LOCATION: RECREATION RESTROOMS SOURCE: SCHLUTER MANUFACTURER: SCHLUTER STYLE / MATERIAL: RONDEC COLOR NAME / NUMBER: BRUSHED NICKEL ANODIZED WIDTH SIZE: 12-5/8" LEAD TIME: 2 WEEKS WEBSITE: https://www.schluter.com/
	WALL TILE TRANSITION	LOCATION: RECREATION RESTROOMS SOURCE: SCHLUTER MANUFACTURER: SCHLUTER STYLE / MATERIAL: RONDEC COLOR NAME / NUMBER: BRUSHED NICKEL ANODIZED WIDTH SIZE: 12-5/8" LEAD TIME: 2 WEEKS WEBSITE: https://www.schluter.com/

EQ-1	EQUIPMENT	LOCATION: RECREATION KITCHEN SOURCE: GC PROVIDED MANUFACTURER: SUMMIT TYPE: BUILT IN COMMERCIAL BEVERAGE CENTER FINISH: STAINLESS STEEL SIZE: 32 0/2" H x 24 8/8" W x 22 8/8" D ITEM NUMBER: 27 X 8 LEAD TIME: N/A NOTE: ADA COMPLIANT WEBSITE: https://www.summitappliance.com/catalog/models/AL57
	EQUIPMENT	LOCATION: RECREATION KITCHEN SOURCE: GC PROVIDED MANUFACTURER: GE TYPE: 3P WARMING DRAWER FINISH: STAINLESS STEEL SIZE: 10 1/2" H x 29 3/4" W x 23 1/4" D ITEM NUMBER: PTW000SPSS LEAD TIME: N/A NOTE: ADA COMPLIANT WEBSITE: https://www.appliances.com/appliances/GE-Profile-30
EQ-3	EQUIPMENT	LOCATION: RECREATION KITCHEN SOURCE: GC PROVIDED MANUFACTURER: GE PROFILE TYPE: ENEMY 3 TAWB 18" DISHWASHER FINISH: STAINLESS STEEL SIZE: 32 1/2" H x 17 3/4" W x 22 1/2" D ITEM NUMBER: P074055SS LEAD TIME: 5-6 WEEKS NOTE: ADA COMPLIANT WEBSITE: https://www.appliances.com/appliances/GE-Profile
	EQUIPMENT	LOCATION: RECREATION KITCHEN SOURCE: GC PROVIDED MANUFACTURER: GE PROFILE TYPE: ENEMY 3 TAWB 18" DISHWASHER FINISH: STAINLESS STEEL SIZE: 32 1/2" H x 17 3/4" W x 22 1/2" D ITEM NUMBER: P074055SS LEAD TIME: 5-6 WEEKS NOTE: ADA COMPLIANT WEBSITE: https://www.appliances.com/appliances/GE-Profile
EQ-4	EQUIPMENT	LOCATION: RECREATION KITCHEN SOURCE: GC PROVIDED MANUFACTURER: GE PROFILE TYPE: ENEMY 3 TAWB 18" DISHWASHER FINISH: STAINLESS STEEL SIZE: 32 1/2" H x 17 3/4" W x 22 1/2" D ITEM NUMBER: P074055SS LEAD TIME: 5-6 WEEKS NOTE: ADA COMPLIANT WEBSITE: https://www.appliances.com/appliances/GE-Profile
	EQUIPMENT	LOCATION: RECREATION KITCHEN SOURCE: GC PROVIDED MANUFACTURER: GE PROFILE TYPE: ENEMY 3 TAWB 18" DISHWASHER FINISH: STAINLESS STEEL SIZE: 32 1/2" H x 17 3/4" W x 22 1/2" D ITEM NUMBER: P074055SS LEAD TIME: 5-6 WEEKS NOTE: ADA COMPLIANT WEBSITE: https://www.appliances.com/appliances/GE-Profile
EQ-5	EQUIPMENT	LOCATION: RECREATION KITCHEN SOURCE: CLIENT PROVIDED MANUFACTURER: MARS DRINKS TYPE: FLAVIA - CREATION 500 SIZE: 17 1/4" H x 10 1/4" W x 18 1/2" D ITEM NUMBER: C50 LEAD TIME: N/A NOTE: DEDICATED ELEC AND WATER LINE WEBSITE: https://www.fleek.com/products/flavia-creation-500
	EQUIPMENT	LOCATION: RECREATION KITCHEN SOURCE: CLIENT PROVIDED MANUFACTURER: MARS DRINKS TYPE: FLAVIA - CREATION 500 SIZE: 17 1/4" H x 10 1/4" W x 18 1/2" D ITEM NUMBER: C50 LEAD TIME: N/A NOTE: DEDICATED ELEC AND WATER LINE WEBSITE: https://www.fleek.com/products/flavia-creation-500
EQ-6	EQUIPMENT	LOCATION: RECREATION KITCHEN SOURCE: CLIENT PROVIDED MANUFACTURER: MARS DRINKS TYPE: FLAVIA - CREATION 500 SIZE: 17 1/4" H x 10 1/4" W x 18 1/2" D ITEM NUMBER: C50 LEAD TIME: N/A NOTE: DEDICATED ELEC AND WATER LINE WEBSITE: https://www.fleek.com/products/flavia-creation-500
	EQUIPMENT	LOCATION: RECREATION KITCHEN SOURCE: CLIENT PROVIDED MANUFACTURER: MARS DRINKS TYPE: FLAVIA - CREATION 500 SIZE: 17 1/4" H x 10 1/4" W x 18 1/2" D ITEM NUMBER: C50 LEAD TIME: N/A NOTE: DEDICATED ELEC AND WATER LINE WEBSITE: https://www.fleek.com/products/flavia-creation-500
EQ-7	EQUIPMENT	LOCATION: RECREATION GREAT ROOM SOURCE: CLIENT PROVIDED MANUFACTURER: MARS DRINKS TYPE: FLAVIA - CREATION 500 SIZE: 17 1/4" H x 10 1/4" W x 18 1/2" D ITEM NUMBER: C50 LEAD TIME: N/A NOTE: DEDICATED ELEC AND WATER LINE WEBSITE: https://www.fleek.com/products/flavia-creation-500
	EQUIPMENT	LOCATION: RECREATION GREAT ROOM SOURCE: CLIENT PROVIDED MANUFACTURER: MARS DRINKS TYPE: FLAVIA - CREATION 500 SIZE: 17 1/4" H x 10 1/4" W x 18 1/2" D ITEM NUMBER: C50 LEAD TIME: N/A NOTE: DEDICATED ELEC AND WATER LINE WEBSITE: https://www.fleek.com/products/flavia-creation-500
EQ-8	EQUIPMENT	LOCATION: RECREATION RESTROOMS SOURCE: CLIENT PROVIDED MANUFACTURER: MARS DRINKS TYPE: FLAVIA - CREATION 500 SIZE: 17 1/4" H x 10 1/4" W x 18 1/2" D ITEM NUMBER: C50 LEAD TIME: N/A NOTE: DEDICATED ELEC AND WATER LINE WEBSITE: